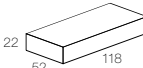






Alimentatori 400mA IP20

400mA LED driver IP20

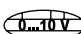







NON DIMMERABILI

NOT DIMMABLE

| IP20 | CODE | MIN - MAX LED | Vin | DIMENSIONS (mm) | CUT-OUT | CERTIFICATIONS |
|------|--------------|---------------|---------|---|--|---|
| | CC20-F-400-N | 1 LED 14W | @230Vac |  |  Ø 55 |    * EAC |









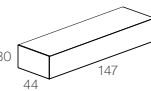




DIMMERABILI - MULTIFUNZIONE - PUSH - 1-10

DIMMABLE - MULTIFUNCTION - PUSH - 1-10

| IP20 | CODE | MIN - MAX LED | Vin | DIMENSIONS (mm) | CUT-OUT | CERTIFICATIONS |
|---|--------------|---------------|---------|---|--|---|
|   | CC32-M-400-N | 1 LED 14W | @230Vac |  |  Ø 72 |   *  EAC |
|  | | 1 LED 14W | @110Vac | | | |








DIMMERABILI - DALI

DIMMABLE - DALI

| IP20 | CODE | MIN - MAX LED | Vin | DIMENSIONS (mm) | CUT-OUT | CERTIFICATIONS |
|---|--------------|---------------|---------|---|--|---|
|  | CC32-D-400-N | 1 LED 14W | @230Vac |  |  Ø 72 |   |
|  | | 1 LED 14W | @110Vac | | | |
|   | CC38-D-400-N | 1 LED 14W | @230Vac |  |  Ø 54 |   * EAC  |



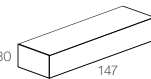


DIMMERABILI - TAGLIO DI FASE (IGBT - TRIAC)

DIMMABLE - PHASE CUT (IGBT - TRIAC)

| IP20 | CODE | MIN - MAX LED | Vin | DIMENSIONS (mm) | CUT-OUT | CERTIFICATIONS |
|---|--------------|---------------|---------|---|--|---|
|   | CC20-C-400-N | 1 LED 14W | @230Vac |  |  Ø 55 |   EAC  |

DIMMERABILI - CASAMBI INTEGRATO

DIMMABLE - CASAMBI INTEGRATED

| IP20 | CODE | MIN - MAX LED | Vin | DIMENSIONS (mm) | CUT-OUT | CERTIFICATIONS |
|---|--------------|---------------|---------|---|--|---|
|   | CC38-B-400-N | 1 LED 14W | @230Vac |  |  Ø 54 | EAC  |

POTENZIOMETRO
POTENTIOMETER

CODE
POT-M-REG-N

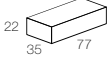


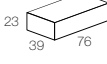

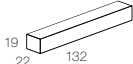

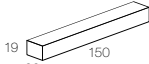





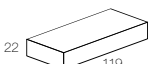



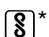









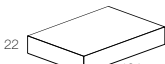




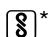




*Disponibile su richiesta
Available upon request

Alimentatori 500mA IP20

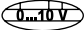


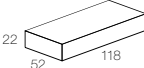






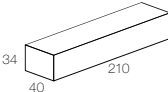




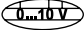







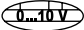
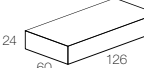










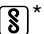

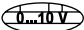


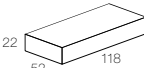




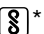

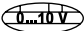

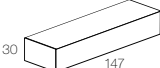



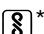




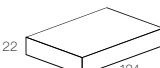






500mA LED driver IP20

■ NON DIMMERABILI NOT DIMMABLE

| IP20 | CODE | MIN - MAX LED | Vin | DIMENSIONS (mm) | CUT-OUT | CERTIFICATIONS |
|------|---------------|---|---------|---|---|---|
| | CC6-F-500-N | 1 - 3 LED 2W 1 LED 6W | @230Vac |  22 35 77 |  Ø 42 |  |
| | | 1 - 3 LED 2W 1 LED 6W | @110Vac | | | |
| | CC10-F-500-NI | 1 - 5 LED 2W 1 LED 6W 1 LED 9W | @230Vac |  23 39 76 |  Ø 44 | |
| | | 1 - 3 LED 2W 1 LED 6W | @110Vac | | | |
| | CC10-F-500-SI | 1 - 6 LED 2W 1 LED 9W | @230Vac |  19 22 132 |  Ø 28 | |
| | CC14-F-500-S | 1 - 7 LED 2W 1 - 2 LED 6W 1 LED 9W | @230Vac |  19 22 150 |  Ø 32 |     |
| | | 1 - 4 LED 2W 1 - 2 LED 6W | @110Vac | | | |
| | CC20-F-500-N | 1 - 10 LED 2W 1 - 3 LED 6W 1 - 2 LED 9W 1 LED 18W | @230Vac |  22 52 119 |  Ø 55 |     |
| | CC20-F-500-NI | 4 - 12 LED 2W 1 - 2 LED 9W 1 LED 18W | @230Vac |  23 38 125 |  Ø 42 | |
| | CC25-F-500-NT | 7 - 12 LED 2W 2 - 4 LED 6W 1 - 2 LED 9W 1 LED 18W | @230Vac |  30 43 157 |  Ø 53 |     |
| | CC50-F-500-N | 10 - 22 LED 2W 1 - 5 LED 6W 1 - 3 LED 9W 1 - 2 LED 18W | @230Vac |  22 79 124 |  Ø 84 |       |
| | | 10 - 22 LED 2W 1 - 5 LED 6W 1 - 3 LED 9W 1 - 2 LED 18W | @110Vac | | | |

DIMMERABILI - MULTIFUNZIONE - PUSH - 1-10

DIMMABLE - MULTIFUNCTION - PUSH - 1-10

| IP20 | CODE | MIN - MAX LED | Vin | DIMENSIONS (mm) | CUT-OUT | CERTIFICATIONS |
|---|---------------|--|--|--|--|----------------|
|    | CC20-M-500-N | @230Vac 1 - 10 LED 2W 1 - 3 LED 6W 1 - 2 LED 9W 1 LED 18W |  22 52 118 |  Ø 55 |     EAC | |
| | | @110Vac 1 - 7 LED 2W 1 - 3 LED 6W 1 LED 9W 1 LED 18W | | | | |
|  | CC30-M-500-NL | @230Vac 1 - 15 LED 2W 1 - 4 LED 6W 1 - 3 LED 9W 1 LED 18W |  34 40 210 |  Ø 54 |    | |
| | | @110Vac 1 - 15 LED 2W 1 - 4 LED 6W 1 - 3 LED 9W 1 LED 18W | | | | |
|    | CC32-M-500-N | @230Vac 1 - 14 LED 2W 1 - 4 LED 6W 1 - 2 LED 9W 1 LED 18W |  21 67 103 |  Ø 72 |    EAC | |
| | | @110Vac 1 - 8 LED 2W 1 - 2 LED 6W 1 LED 9W | | | | |
|  | CC40-M-500-NR | @230Vac 4 - 18 LED 2W 1 - 4 LED 6W 1 - 3 LED 9W 1 LED 18W |  24 60 126 |  Ø 64 |  CLASS P | |
| | | @110Vac 4 - 18 LED 2W 1 - 4 LED 6W 1 - 3 LED 9W 1 LED 18W | | | | |
|    | CC50-M-500-N | @230Vac 10 - 22 LED 2W 1 - 5 LED 6W 1 - 3 LED 9W 1 - 2 LED 18W |  22 79 124 |  Ø 84 |     EAC  | |
| | | @110Vac 10 - 12 LED 2W 1 - 5 LED 6W 1 - 3 LED 9W 1 - 2 LED 18W | | | | |
|    <small>DIM-TO-WARM</small> | CC20-A-500-N | @230Vac 2 - 10 LED 2W 1 - 3 LED 6W 1 - 2 LED 9W 1 LED 18W |  22 52 118 |  Ø 72 |     EAC  | |
| | | @110Vac 2 - 10 LED 2W 1 - 2 LED 6W 1 LED 9W | | | | |
|   <small>DIM-TO-WARM</small> | CC36-A-500-N | @230Vac 4 - 14 LED 2W 1 - 4 LED 6W 1 - 2 LED 9W 1 LED 18W |  30 44 147 |  Ø 54 |    EAC  | |
| | | | | | | |
|    <small>DIM-TO-WARM</small> | CC50-A-500-N | @230Vac 10 - 22 LED 2W 1 - 5 LED 6W 1 - 3 LED 9W 1 - 2 LED 18W |  22 79 124 |  Ø 84 |     EAC  | |
| | | @110Vac 10 - 22 LED 2W 1 - 5 LED 6W 1 - 3 LED 9W 1 - 2 LED 18W | | | | |

POTENZIOMETRO
POTENTIOMETER

CODE
POT-M-REG-N




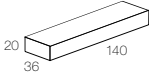


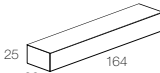



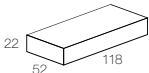






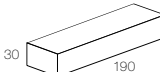














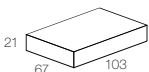









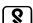












*Disponibile su richiesta
Available upon request

Alimentatori 500mA IP20

500mA LED driver IP20

DIMMERABILI - DALI

DIMMABLE - DALI

| IP20 | CODE | MIN - MAX LED | Vin | DIMENSIONS (mm) | CUT-OUT | CERTIFICATIONS |
|--|---------------|---|---------|---|---|---|
|  | CC10-D-500-NI | 1 - 6 LED 2W 1 LED 6W 1 LED 9W | @230Vac |  20 140 36 |  Ø 40 | |
|  | CC25-D-500-NI | 1 - 15 LED 2W 1 - 4 LED 6W 1 - 2 LED 9W 1 LED 18W | @230Vac |  25 164 33 |  Ø 44 | |
|   | CC20-D-500-N | 2 - 10 LED 2W 1 - 3 LED 6W 1 - 2 LED 9W 1 LED 18W | @230Vac |  22 118 52 |  Ø 55 |   *   * EAC |
| | | 2 - 8 LED 2W 1 - 2 LED 6W 1 LED 9W | @110Vac | | | |
|  | CC20-D-500-NT | 7 - 15 LED 2W 2 - 4 LED 6W 2 LED 9W 1 LED 18W | @230Vac |  30 190 43 |  Ø 62 |    EAC  |
|  | CC30-D-500-NL | 1 - 15 LED 2W 1 - 4 LED 6W 1 - 3 LED 9W 1 LED 18W | @230Vac |  34 210 40 |  Ø 54 |   *   |
| | | 1 - 15 LED 2W 1 - 4 LED 6W 1 - 3 LED 9W 1 LED 18W | @110Vac | | | |
|   | CC32-D-500-N | 2 - 14 LED 2W 1 - 4 LED 6W 1 - 2 LED 9W 1 LED 18W | @230Vac |  21 103 67 |  Ø 72 |   |
| | | 2 - 10 LED 2W 1 - 2 LED 6W 1 LED 9W | @110Vac | | | |
|    | CC38-D-500-N | 4 - 17 LED 2W 1 - 4 LED 6W 1 LED 18W | @230Vac |  30 147 44 |  Ø 54 |   * EAC  |
|     | CC50-D-500-N | 10 - 22 LED 2W 1 - 5 LED 6W 1 - 3 LED 9W 1 - 2 LED 18W | @230Vac |  22 124 79 |  Ø 84 |     * EAC  |
| | | 10 - 22 LED 2W 1 - 5 LED 6W 1 - 3 LED 9W 1 - 2 LED 18W | @110Vac | | | |

POTENZIOMETRO
POTENTIOMETER




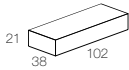




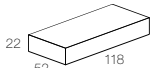






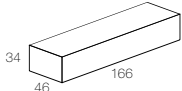




CODE
POT-M-REG-N



*Disponibile su richiesta
Available upon request




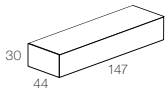





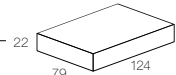




DIMMERABILI - TAGLIO DI FASE (IGBT - TRIAC)

DIMMABLE - PHASE CUT (IGBT - TRIAC)

| IP20 | CODE | MIN - MAX LED | Vin | DIMENSIONS (mm) | CUT-OUT | CERTIFICATIONS |
|---|--------------|--|---------|--|--|---|
|    DIMA-TO-WARM | CC10-C-500-N | 3 - 5 LED 2W 1 - 2 LED 6W 1 LED 9W | @230Vac |  21 38 102 |  Ø 42 |  |
|   DIMA-TO-WARM | CC20-C-500-N | 2 - 12 LED 2W 1 - 3 LED 6W 1 - 2 LED 9W 1 LED 18W | @230Vac |  22 52 118 |  Ø 55 |   EAC  |
|   | CC32-C-500-N | 1 - 12 LED 2W 1 - 3 LED 6W 1 - 2 LED 9W 1 LED 18W | @230Vac |  34 46 166 |  Ø 56 |    * EAC |



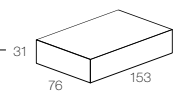



DIMMERABILI - CASAMBI INTEGRATO

DIMMABLE - CASAMBI INTEGRATED

| IP20 | CODE | MIN - MAX LED | Vin | DIMENSIONS (mm) | CUT-OUT | CERTIFICATIONS |
|--|--------------|---|---------|--|--|--|
|  CASAMBI   DIMA-TO-WARM | CC38-B-500-N | 4 - 16 LED 2W 1 - 4 LED 6W 1 - 2 LED 9W 1 LED 18W | @230Vac |  30 44 147 |  Ø 54 | EAC  |
|    DIMA-TO-WARM | CC60-B-500-N | 10 - 22 LED 2W 1 - 5 LED 6W 1 - 3 LED 9W 1 - 2 LED 18W | @230Vac |  22 79 124 |  Ø 84 |  C  EAC  SELV 120V |
| | | 10 - 22 LED 2W 1 - 5 LED 6W 1 - 3 LED 9W 1 - 2 LED 18W | @110Vac | | | |


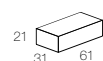


DIMMERABILI - DMX

DIMMABLE - DMX

| IP20 | CODE | MIN - MAX LED | Vin | DIMENSIONS (mm) | CUT-OUT | CERTIFICATIONS |
|--|---------------|---|---------|--|--|--|
|   | CC50-X-500-NL | 1 - 15 LED 2W 1 - 8 LED 6W 1 - 4 LED 9W 1 - 2 LED 18W 1 - 10 LED 3x2W RGB | @230Vac |  31 76 153 |  Ø 84 |  C  LISTED |
| | | 1 - 15 LED 2W 1 - 8 LED 6W 1 - 4 LED 9W 1 - 2 LED 18W 1 - 10 LED 3x2W RGB | @110Vac | | | |

NON DIMMERABILI - FISSI - PER BATTERIA

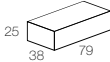

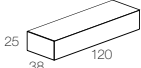

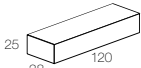

NOT DIMMABLE - FIXED - FOR BATTERY

| IP20 | CODE | MAX LED | Vin | DIMENSIONS (mm) | CUT-OUT | CERTIFICATIONS |
|---|---------------|---|--------|---|--|---|
|  | CC15-F-500-NB | 1 - 3 LED 2W 1 LED 6W | 12 Vdc |  21 31 61 |  Ø 38 | EAC  |
| | | 1 - 6 LED 2W 1 LED 6W 1 LED 9W | 24 Vdc | | | |
| | | 1 - 12 LED 2W 1 - 3 LED 6W 1 - 2 LED 9W | 48 Vdc | | | |

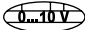
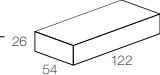


Alimentatori 500mA IP67

500mA LED driver IP67



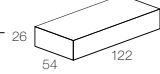



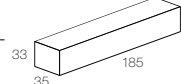

■ NON DIMMERABILI NOT DIMMABLE

| IP67 | CODE | MIN - MAX LED | Vin | DIMENSIONS (mm) | CUT-OUT | CERTIFICATIONS |
|------|---------------|--|---------|---|--|----------------|
| | CC14-F-500-PI | 1 - 9 LED 2W 1 - 2 LED 6W | @230Vac |  |  | |
| | CC20-F-500-PI | 1 - 10 LED 2W 1 - 3 LED 6W 1 LED 18W | @230Vac |  |  | |
| | CC30-F-500-PI | 9 - 18 LED 2W 3 - 4 LED 6W 1 LED 18W | @230Vac |  |  | |


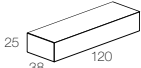

■ DIMMERABILI - MULTIFUNZIONE - PUSH - 1-10 DIMMABLE - MULTIFUNCTION - PUSH - 1-10

| IP67 | CODE | MIN - MAX LED | Vin | DIMENSIONS (mm) | CUT-OUT | CERTIFICATIONS |
|---|--------------|--|---------|---|--|---|
|  | CC20-M-500-P | 1 - 10 LED 2W 1 - 3 LED 6W 1 LED 18W | @230Vac |  |  |  |
| | | 1 - 8 LED 2W 1 - 2 LED 6W 1 LED 18W | @110Vac | | | |

■ DIMMERABILI - DALI DIMMABLE - DALI

| IP67 | CODE | MIN - MAX LED | Vin | DIMENSIONS (mm) | CUT-OUT | CERTIFICATIONS |
|--|---------------|--|---------|---|--|---|
|   | CC25-D-500-P | 1 - 12 LED 2W 1 - 4 LED 6W 1 LED 18W | @230Vac |  |  |  |
| | | 1 - 8 LED 2W 1 - 2 LED 6W | @110Vac | | | |
|  | CC55-D-500-PI | 1 - 14 LED 2W 1 - 4 LED 6W 1 LED 18W | @230Vac |  |  | |
| | | 1 - 9 LED 2W 1 - 2 LED 6W | @110Vac | | | |

■ DIMMERABILI - TAGLIO DI FASE (IGBT - TRIAC) DIMMABLE - PHASE CUT (IGBT - TRIAC)

| IP67 | CODE | MIN - MAX LED | Vin | DIMENSIONS (mm) | CUT-OUT | CERTIFICATIONS |
|---|---------------|--|---------|---|--|----------------|
|  | CC25-C-500-PI | 8 - 13 LED 2W 2 - 4 LED 6W 1 LED 18W | @230Vac |  |  | |

POTENZIOMETRO
POTENTIOMETER

CODE
POT-M-REG-N

