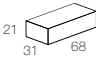

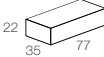



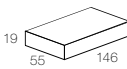

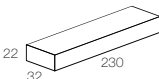

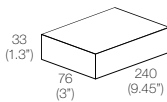


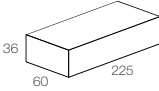

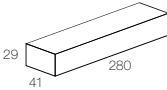

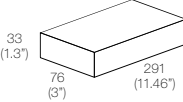


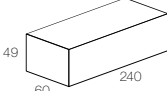



Alimentatori 24Vdc IP20

24Vdc LED driver IP20

■ NON DIMMERABILI NOT DIMMABLE

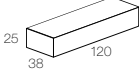

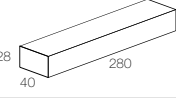

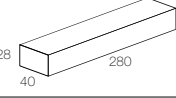

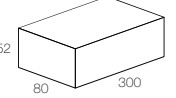

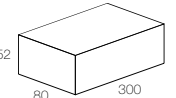




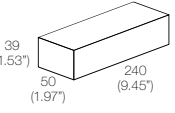
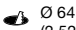

IP20	CODE	MAX LED	Vin	DIMENSIONS (mm)	CUT-OUT	CERTIFICATIONS
	CV6-F-24-NI	6W - 0,25A max 3W - 0,12A max	220-240 Vac 100-120 Vac		 Ø 36	
	CV8-F-24-N	8W - 0,35A max 8W - 0,35A max	220-240 Vac 100-120 Vac		 Ø 42	  EAC
	CV20-F-24-N	21W - 1,04A max 8,5W - 0,42A max	220-240 Vac 100-120 Vac		 Ø 60	EAC
	CV35-F-24-NI	32W - 1,5A max	220-240 Vac		 Ø 39	
	CV60-F-24-NE*	52W - 2,5A max	100-120 Vac		 Ø 84 (3.3")	
	CV70-F-24-N	63W - 2,9A max	220-240 Vac		 Ø 70	EAC
	CV75-F-24-NI	70W - 3,125A max 35W - 1,5A max	220-240 Vac 100-120 Vac		 Ø 49	
	CV100-F-24-NE*	83W - 4A max	100-120 Vac		 Ø 84 (3.3")	
	CV150-F-24-N	140W - 6,25A max	220-240 Vac		 Ø 80	EAC

*Non adatto al mercato UE, solo per utilizzo negli USA
Not suitable for the UE market, only for USA installation


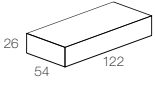


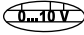
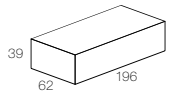


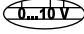
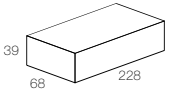


Alimentatori 24Vdc IP67

24Vdc LED driver IP67

■ NON DIMMERABILI NOT DIMMABLE

IP67	CODE	MAX LED	Vin	DIMENSIONS (mm)	CUT-OUT	CERTIFICATIONS
	CV30-F-24-PI	26W - 1,5A max	220-240 Vac	 25 38 120	 Ø 44	
		13W - 0,6A max	100-120 Vac			
	CV75-F-24-PI	72W - 3,125A max	220-240 Vac	 28 40 280	 Ø 48	
	CV150-F-24-PI	140W - 6,250A max	220-240 Vac	 28 40 280	 Ø 48	
	CV70-F-24-P	63W - 2,90A max	220-240 Vac	 52 80 300	 Ø 85	ERAC
	CV150-F-24-P	140W - 6,25A max	220-240 Vac	 52 80 300	 Ø 85	ERAC
	CV240-F-24-PM	215W - 10A max	220-240 Vac	 39 68 245	 Ø 79	
		215W - 10A max	100-120 Vac			
IP66	CV260-F-24-PW*	235W - 10,83A max	100-120 Vac	 39 (1.53") 50 (1.97") 240 (9.45")	 Ø 64 (2.52")	

■ DIMMERABILI - MULTIFUNZIONE - PUSH - 1-10 DIMMABLE - MULTIFUNCTION - PUSH - 1-10

IP67	CODE	MAX LED	Vin	DIMENSIONS (mm)	CUT-OUT	CERTIFICATIONS
	CV20-M-24-P	15W - 0,7A max	220-240 Vac	 26 54 122	 Ø 60	
		13W - 0,6A max	100-120 Vac			
	CV80-R-24-PM	72W - 3,4A max	220-240 Vac	 39 62 196	 Ø 74	
		72W - 3,4A max	100-120 Vac			
	CV185-R-24-PM	165W - 7,8A max	220-240 Vac	 39 68 228	 Ø 79	
		165W - 7,8A max	100-120 Vac			

POTENZIOMETRO
POTENTIOMETER

CODE
POT-M-REG-N



*Non adatto al mercato UE, solo per utilizzo negli USA
Not suitable for the UE market, only for USA installation