

Alimentatori 180mA IP20

180mA LED driver IP20

■ NON DIMMERABILI NOT DIMMABLE

IP20	CODE	MIN - MAX LED	V _{in}	DIMENSIONS (mm)	CUT-OUT	CERTIFICATIONS
	CC10-F-180-NT	1 LED 6W	@230Vac		Ø 53	
	CC14-F-180-N	1 LED 6W	@230Vac		Ø 40	
		1 LED 6W	@110Vac			
	CC20-F-180-N	1 LED 6W	@230Vac		Ø 55	
		1 LED 6W	@110Vac			

■ DIMMERABILI - MULTIFUNZIONE - PUSH - 1-10 DIMMABLE - MULTIFUNCTION - PUSH - 1-10

IP20	CODE	MIN - MAX LED	V _{in}	DIMENSIONS (mm)	CUT-OUT	CERTIFICATIONS
	CC20-M-180-N	1 LED 6W	@230Vac		Ø 55	
		1 LED 6W	@110Vac			
	CC30-M-180-NL	1 LED 6W	@230Vac		Ø 54	
		1 LED 6W	@110Vac			

■ DIMMERABILI - DALI DIMMABLE - DALI

IP20	CODE	MIN - MAX LED	V _{in}	DIMENSIONS (mm)	CUT-OUT	CERTIFICATIONS
	CC20-D-180-N	1 LED 6W	@230Vac		Ø 55	
		1 LED 6W	@110Vac			
	CC30-D-180-NL	1 LED 6W	@230Vac		Ø 54	
		1 LED 6W	@110Vac			

■ DIMMERABILI - TAGLIO DI FASE (IGBT - TRIAC) DIMMABLE - PHASE CUT (IGBT - TRIAC)

IP20	CODE	MIN - MAX LED	V _{in}	DIMENSIONS (mm)	CUT-OUT	CERTIFICATIONS
	CC6-C-180-N	1 LED 6W	@230Vac		Ø 42	

POTENZIOMETRO
POTENTIOMETER

CODE
POT-M-REG-N



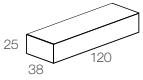

*Disponibile su richiesta
Available upon request

Alimentatori 180mA IP67

180mA LED driver IP67


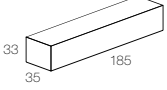

■ NON DIMMERABILI

NOT DIMMABLE

IP67	CODE	MIN - MAX LED	Vin	DIMENSIONS (mm)	CUT-OUT	CERTIFICATIONS
	CC20-F-180-PI	1 LED 6W	@230Vac		 Ø 44	


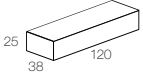

■ DIMMERABILI - DALI

DIMMABLE - DALI

IP67	CODE	MIN - MAX LED	Vin	DIMENSIONS (mm)	CUT-OUT	CERTIFICATIONS
	CC15-D-180-PI	1 LED 6W	@230Vac		 Ø 48	
		1 LED 6W	@110Vac			

■ DIMMERABILI - TAGLIO DI FASE (IGBT - TRIAC)

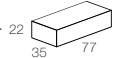
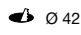

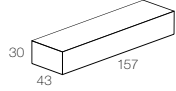
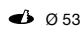

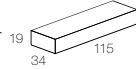
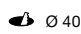

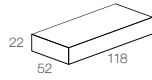
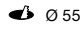

DIMMABLE - PHASE CUT (IGBT - TRIAC)

IP67	CODE	MIN - MAX LED	Vin	DIMENSIONS (mm)	CUT-OUT	CERTIFICATIONS
	CC10-C-180-PI	1 LED 6W	@230Vac		 Ø 44	

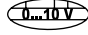
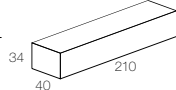
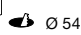




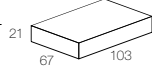
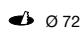

Alimentatori 250mA IP20

250mA LED driver IP20



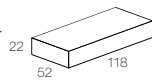
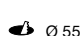


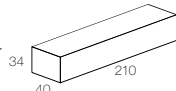
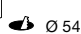
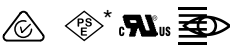
■ NON DIMMERABILI NOT DIMMABLE

IP20	CODE	MIN - MAX LED	V _{in}	DIMENSIONS (mm)	CUT-OUT	CERTIFICATIONS
IP20	CC9-F-250-N	1 LED 8W	@230Vac	 22 35 77	 Ø 42	
		1 LED 8W	@110Vac			
	CC10-F-250-NT	1 LED 8W	@230Vac	 30 43 157	 Ø 53	
IP20	CC14-F-250-N	1 LED 8W	@230Vac	 19 34 115	 Ø 40	
		1 LED 8W	@110Vac			
	CC20-F-250-N	1 LED 8W	@230Vac	 22 52 118	 Ø 55	



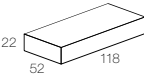
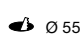

■ DIMMERABILI - MULTIFUNZIONE - PUSH - 1-10 DIMMABLE - MULTIFUNCTION - PUSH - 1-10

IP20	CODE	MIN - MAX LED	V _{in}	DIMENSIONS (mm)	CUT-OUT	CERTIFICATIONS
IP20 	CC30-M-250-NL	1 LED 8W	@230Vac	 34 40 210	 Ø 54	
		1 LED 8W	@110Vac			
IP20   	CC32-M-250-N	1 LED 8W	@230Vac	 21 67 103	 Ø 72	
		1 LED 8W	@110Vac			

■ DIMMERABILI - DALI DIMMABLE - DALI

IP20	CODE	MIN - MAX LED	V _{in}	DIMENSIONS (mm)	CUT-OUT	CERTIFICATIONS
IP20  	CC20-D-250-N	1 LED 8W	@230Vac	 22 52 118	 Ø 55	
		1 LED 8W	@110Vac			
IP20 	CC30-D-250-NL	1 LED 8W	@230Vac	 34 40 210	 Ø 54	
		1 LED 8W	@110Vac			

■ DIMMERABILI - TAGLIO DI FASE (IGBT - TRIAC) DIMMABLE - PHASE CUT (IGBT - TRIAC)

IP20	CODE	MIN - MAX LED	V _{in}	DIMENSIONS (mm)	CUT-OUT	CERTIFICATIONS
IP20  	CC12-C-250-N	1 LED 8W	@230Vac	 22 52 118	 Ø 55	

POTENZIOMETRO
POTENTIOMETER

CODE
POT-M-REG-N



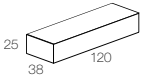

*Disponibile su richiesta
Available upon request

Alimentatori 250mA IP67

250mA LED driver IP67


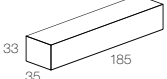

■ NON DIMMERABILI

NOT DIMMABLE

IP67	CODE	MIN - MAX LED	Vin	DIMENSIONS (mm)	CUT-OUT	CERTIFICATIONS
	CC20-F-250-PI	1 LED 8W	@230Vac		 Ø 44	


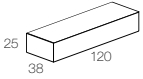

■ DIMMERABILI - DALI

DIMMABLE - DALI

IP67	CODE	MIN - MAX LED	Vin	DIMENSIONS (mm)	CUT-OUT	CERTIFICATIONS
	CC15-D-250-PI	1 LED 8W	@230Vac		 Ø 48	
		1 LED 8W	@110Vac			

■ DIMMERABILI - TAGLIO DI FASE (IGBT - TRIAC)

DIMMABLE - PHASE CUT (IGBT - TRIAC)

IP67	CODE	MIN - MAX LED	Vin	DIMENSIONS (mm)	CUT-OUT	CERTIFICATIONS
	CC10-C-250-PI	1 LED 8W	@230Vac		 Ø 44	