

LIGHT SOURCE

| | | |
|--------------------------------------|---|---|
| LED quantity | 1 | |
| Power max | 12W - 18 W | |
| Total lumen output (3000K CRI>90) | 12W: 12° - 968 lm 18° - 1124 lm 24° - 1062 lm 33° - 966 lm 52° - 933 lm | 18W: 12° - 1257 lm 18° - 1530 lm 24° - 1441 lm 33° - 1294 lm 52° - 1263 lm |
| Efficacy lm/W (3000K CRI>90) | 12W: 12° - 81 lm/W 18° - 93 lm/W 24° - 88 lm/W 33° - 83 lm/W 52° - 78 lm/W | 18W: 12° - 70 lm/W 18° - 85 lm/W 24° - 80 lm/W 33° - 72 lm/W 52° - 70 lm/W |
| CRI | >80 - >90 | |
| LED Temperature | 2200K CRI>90-2400K CRI>90 -2700K CRI>90 3000K CRI>90 - 3500K CRI>90 - 4000K CRI>90 | |
| Average operational life | 50.000 hours | |

OPTIC

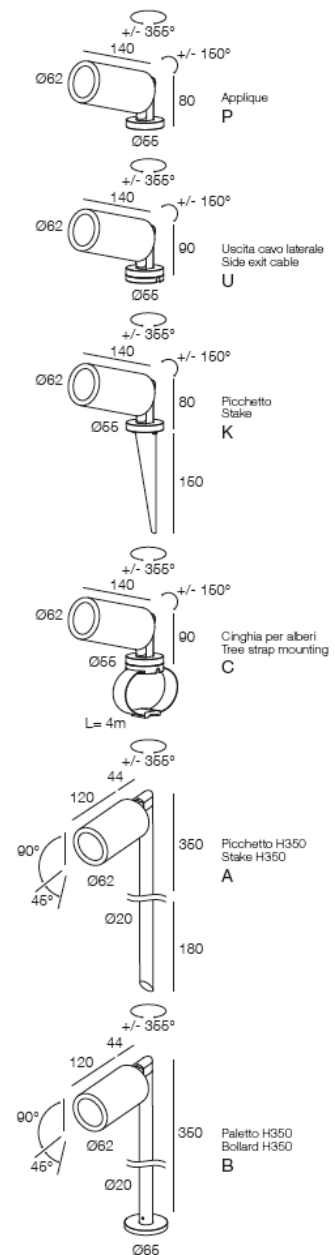
| | |
|------------------|---------------------------------------|
| Material | PMMA |
| Available optics | 12° - 18° - 24° - 33° - 52° |
| Beam direction | Adjustable +/-150°, rotating +/- 355° |
| Flux symmetry | Symmetrical |

FIXTURE

| | |
|------------------------------------|--|
| Material | Aluminum |
| Available body finishes | Powder coated: A6 - Gray white (RAL 9002) 4A - Anthracite Gray (RAL 7016) VC - Fir Green (RAL 6009) M8 - Brown (RAL 8019) MS - Bright brown Hard coat anodized: 4 - Black 3 - Gray |
| Available decorative ring finishes | Chrome plated: 1 - Gold chrome 1 - Shiny chrome 8 - Satin gold Nickel plated: N - Satin nickel Hard coat anodized: 4 - Black |
| IP Rate | IP67 |
| Working Temperature | -20° ÷ +40° |
| Integrated fixing Systems | Applique, Stake, Tree strap mounting, Stake H350, Bollard H350 |

ELECTRICAL FEATURES

| | |
|------------|---------------------------|
| Driver | Remote |
| Dimmable | Push, 1-10V, DALI |
| Connection | In series at 350mA, 500mA |
| Class | III |



MECHANICAL FEATURES

| | |
|--------------|-------------------------------|
| Dimensions | Ø62 x 140 mm (cylinder only) |
| Weight | 730 gr (Applique version) |
| Installation | Wall, ceiling, floor mounting |
| Cut-out | - |
| Use | Outdoor |

ACCESSORIES

| | |
|------------------------|---|
| Interchangeable lenses | 18°, 24°, 33°, 52° |
| Filters | Hex louver, elliptical filter, prismatic filter, softening lens |
| Decorative rings | Gold chrome, shiny chrome, satin gold, satin nickel, black |
| Visors | Low glare visor, Low glare snoot |
| Box/ Frame | - |
| Installation tool | - |

PHOTOMETRIC DATA

| 12° Lens – 18W | | | | 18° Lens – 18W | | | | 24° Lens – 18W | | | | 33° Lens – 18W | | | | 52° Lens – 18W | | | |
|----------------|------|-----------------------|----------------------|----------------|------|-----------------------|----------------------|----------------|------|-----------------------|----------------------|----------------|------|-----------------------|----------------------|----------------|------|-----------------------|----------------------|
| | | | | | | | | | | | | | | | | | | | |
| H(m) | D(m) | E _{max} (lx) | E _{av} (lx) | H(m) | D(m) | E _{max} (lx) | E _{av} (lx) | H(m) | D(m) | E _{max} (lx) | E _{av} (lx) | H(m) | D(m) | E _{max} (lx) | E _{av} (lx) | H(m) | D(m) | E _{max} (lx) | E _{av} (lx) |
| 12° | | | | 18° | | | | 24° | | | | 33° | | | | 52° | | | |
| 1.00 | 0.25 | 14572 | 9109 | 1.00 | 0.32 | 10795 | 6880 | 1.00 | 0.45 | 6206 | 3851 | 1.00 | 0.60 | 3582 | 2186 | 1.00 | 0.99 | 1973 | 1105 |
| 2.00 | 0.50 | 3643 | 2277 | 2.00 | 0.64 | 2699 | 1720 | 2.00 | 0.90 | 1552 | 963 | 2.00 | 1.19 | 896 | 547 | 2.00 | 1.98 | 493 | 276 |
| 3.00 | 0.74 | 1619 | 1012 | 3.00 | 0.95 | 1199 | 764 | 3.00 | 1.34 | 690 | 428 | 3.00 | 1.79 | 398 | 243 | 3.00 | 2.97 | 219 | 123 |
| 4.00 | 0.99 | 911 | 569 | 4.00 | 1.27 | 675 | 430 | 4.00 | 1.79 | 388 | 241 | 4.00 | 2.38 | 224 | 137 | 4.00 | 3.95 | 123 | 69 |
| 5.00 | 1.24 | 583 | 364 | 5.00 | 1.59 | 432 | 275 | 5.00 | 2.24 | 248 | 154 | 5.00 | 2.98 | 143 | 87 | 5.00 | 4.94 | 79 | 44 |
| UGR = 7 | | | | UGR = 9 | | | | UGR = 12 | | | | UGR = 14 | | | | UGR = 16 | | | |

NOTES

12° lens not interchangeable. Plug&Play version available. Provided with 200 cm neoprene cable.