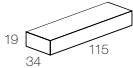





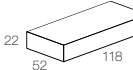





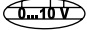
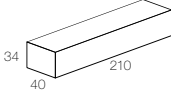







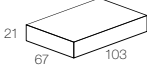





Alimentatori 300mA IP20

300mA LED driver IP20


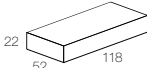




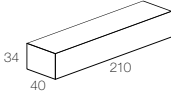
















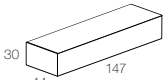





■ NON DIMMERABILI NOT DIMMABLE

| IP20 | CODE | MIN - MAX LED | Vin | DIMENSIONS (mm) | CUT-OUT | CERTIFICATIONS |
|------|--------------|---------------------------|---------|---|---|---|
| | CC14-F-300-N | 1 - 3 LED 4W 1 LED 10W | @230Vac |  19 34 115 |  Ø 40 |     * |
| | | 1 - 2 LED 4W 1 LED 10W | @110Vac | | | |
| | CC20-F-300-N | 1 - 4 LED 4W 1 LED 10W | @230Vac |  22 52 118 |  Ø 55 |   |

■ DIMMERABILI - MULTIFUNZIONE - PUSH - 1-10 DIMMABLE - MULTIFUNCTION - PUSH - 1-10

| IP20 | CODE | MIN - MAX LED | Vin | DIMENSIONS (mm) | CUT-OUT | CERTIFICATIONS |
|---|---------------|---------------------------|---------|---|---|---|
|  | CC30-M-300-NL | 1 - 4 LED 4W 1 LED 10W | @230Vac |  34 40 210 |  Ø 54 |    |
| | | 1 - 4 LED 4W 1 LED 10W | @110Vac | | | |
|    | CC32-M-300-N | 2 - 4 LED 4W 1 LED 10W | @230Vac |  21 67 103 |  Ø 72 |   *   |
| | | 2 - 3 LED 4W 1 LED 10W | @110Vac | | | |

■ DIMMERABILI - DALI DIMMABLE - DALI

| IP20 | CODE | MIN - MAX LED | Vin | DIMENSIONS (mm) | CUT-OUT | CERTIFICATIONS |
|---|---------------|---------------------------|---------|---|---|---|
|  | CC20-D-300-N | 1 - 4 LED 4W 1 LED 10W | @230Vac |  22 52 118 |  Ø 55 |   |
| | | 1 - 3 LED 4W 1 LED 10W | @110Vac | | | |
|  | CC30-D-300-NL | 1 - 4 LED 4W 1 LED 10W | @230Vac |  34 40 210 |  Ø 54 |   *   |
| | | 1 - 4 LED 4W 1 LED 10W | @110Vac | | | |
|   | CC32-D-300-N | 1 - 4 LED 4W 1 LED 10W | @230Vac |  21 67 103 |  Ø 72 |   *   |
| | | 1 - 3 LED 4W 1 LED 10W | @110Vac | | | |
|    | CC38-D-300-N | 1 - 4 LED 4W 1 LED 10W | @230Vac |  30 44 147 |  Ø 54 |   *   |
| | | | | | | |

POTENZIOMETRO
POTENTIOMETER


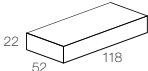
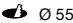

CODE
POT-M-REG-N



*Disponibile su richiesta
Available upon request


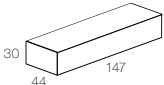
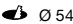

DIMMERABILI - TAGLIO DI FASE (IGBT - TRIAC)

DIMMABLE - PHASE CUT (IGBT - TRIAC)

| IP20 | CODE | MIN - MAX LED | Vin | DIMENSIONS (mm) | CUT-OUT | CERTIFICATIONS |
|---|--------------|---------------------------|---------|---|---|---|
|  | CC20-C-300-N | 2 - 4 LED 4W 1 LED 10W | @230Vac |  |  |  |

DIMMERABILI - CASAMBI INTEGRATO

DIMMABLE - CASAMBI INTEGRATED


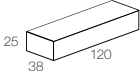
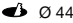
| IP20 | CODE | MIN - MAX LED | Vin | DIMENSIONS (mm) | CUT-OUT | CERTIFICATIONS |
|---|--------------|---------------------------|---------|---|---|--|
|  | CC38-B-300-N | 1 - 4 LED 4W 1 LED 10W | @230Vac |  |  |  |

Alimentatori 300mA IP67

300mA LED driver IP67


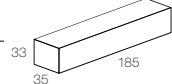
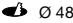

NON DIMMERABILI

NOT DIMMABLE

| IP67 | CODE | MIN - MAX LED | Vin | DIMENSIONS (mm) | CUT-OUT | CERTIFICATIONS |
|---|---------------|----------------------------|---------|---|---|----------------|
|  | CC15-F-300-PI | 1 - 43 LED 4W 1 LED 10W | @230Vac |  |  | |

DIMMERABILI - DALI

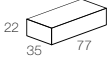



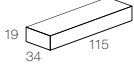










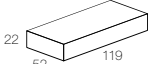



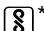












DIMMABLE - DALI

| IP67 | CODE | MIN - MAX LED | Vin | DIMENSIONS (mm) | CUT-OUT | CERTIFICATIONS |
|---|---------------|---------------------------|---------|---|---|---|
|  | CC15-D-300-PI | 1 - 4 LED 4W 1 LED 10W | @230Vac |  |  |  |
| | | 1 - 2 LED 4W | @110Vac | | | |

Alimentatori 350mA IP20

350mA LED driver IP20

■ NON DIMMERABILI NOT DIMMABLE

| IP20 | CODE | MIN - MAX LED | Vin | DIMENSIONS (mm) | CUT-OUT | CERTIFICATIONS |
|------|---------------|---|---------|---|---|---|
| IP20 | CC6-F-350-N | 1 - 6 LED 1W 1 LED 4W 1 LED ZOOM | @230Vac |  |  Ø 42 |   * EAC |
| | | 1 - 6 LED 1W 1 LED 4W 1 LED ZOOM | @110Vac | | | |
| IP20 | CC14-F-350N | 1 - 13 LED 1W 1 - 4 LED 4W 1 - 3 LED ZOOM 1 LED 12W | @230Vac |  |  Ø 40 |     * |
| | | 1 - 9 LED 1W 1 - 2 LED 4W 1 - 2 LED ZOOM | @110Vac | | | |
| IP20 | CC15-F-350-S | 1 - 13 LED 1W 1 - 3 LED 4W 1 - 3 LED ZOOM 1 LED 12W | @230Vac |  |  Ø 32 |    * EAC |
| | | 1 - 5 LED 1W 1 LED 4W 1 LED ZOOM | @110Vac | | | |
| IP20 | CC20-F-350-N | 1 - 16 LED 1W 1 - 5 LED 4W 1 - 4 LED ZOOM 1 LED 12W | @230Vac |  |  Ø 55 |    * EAC |
| | | | | | | |
| IP20 | CC25-F-350-NT | 7 - 16 LED 1W 3 - 5 LED 4W 2 - 4 LED ZOOM 1 LED 12W | @230Vac |  |  Ø 53 |   EAC  |
| | | | | | | |
| IP20 | CC50-F-350-N | 10 - 23 LED 1W 1 - 8 LED 4W 1 - 6 LED ZOOM 1 - 2 LED 12W | @230Vac |  |  Ø 84 |     * EAC  |
| | | 10 - 23 LED 1W 1 - 8 LED 4W 1 - 6 LED ZOOM 1 - 2 LED 12W | @110Vac | | | |

DIMMERABILI - MULTIFUNZIONE - PUSH - 1-10

DIMMABLE - MULTIFUNCTION - PUSH - 1-10

| IP20 | CODE | MIN - MAX LED | Vin | DIMENSIONS (mm) | CUT-OUT | CERTIFICATIONS |
|------|---------------|--|---------|-----------------|---------|----------------|
| | CC20-M-350-N | 1 - 14 LED 1W 1 - 4 LED 4W 1 - 3 LED ZOOM 1 LED 12W | @230Vac | 22 52 119 | Ø 55 | |
| | | 1 - 14 LED 1W 1 - 4 LED 4W 1 - 3 LED ZOOM 1 LED 12W | @110Vac | | | |
| | CC30-M-350-NL | 1 - 18 LED 1W 1 - 6 LED 4W 1 - 4 LED ZOOM 1 LED 12W | @230Vac | 34 40 210 | Ø 54 | |
| | | 1 - 18 LED 1W 1 - 6 LED 4W 1 - 4 LED ZOOM 1 LED 12W | @110Vac | | | |
| | CC32-M-350-N | 4 - 17 LED 1W 2 - 5 LED 4W 1 - 4 LED ZOOM 1 LED 12W | @230Vac | 21 67 103 | Ø 72 | |
| | | 4 - 14 LED 1W 2 - 3 LED 4W 1 - 3 LED ZOOM 1 LED 12W | @110Vac | | | |
| | CC40-M-350-NR | 4 - 18 LED 1W 2 - 6 LED 4W 1 - 4 LED ZOOM 1 LED 12W | @230Vac | 24 60 126 | Ø 64 | |
| | | 4 - 18 LED 1W 2 - 6 LED 4W 1 - 4 LED ZOOM 1 LED 12W | @110Vac | | | |
| | CC50-M-350-N | 10 - 23 LED 1W 1 - 8 LED 4W 1 - 6 LED ZOOM 1 - 2 LED 12W | @230Vac | 22 79 124 | Ø 84 | |
| | | 10 - 23 LED 1W 1 - 8 LED 4W 1 - 6 LED ZOOM 1 - 2 LED 12W | @110Vac | | | |
| | CC20-A-350-N | 5 - 16 LED 1W 2 - 4 LED 4W 2 - 4 LED ZOOM 1 LED 12W (DimToWarm) | @230Vac | 22 52 119 | Ø 72 | |
| | | 5 - 15 LED 1W 2 - 3 LED 4W 2 - 3 LED ZOOM 1 LED 12W (DimToWarm) | @110Vac | | | |
| | CC50-A-350-N | 10 - 23 LED 1W 1 - 8 LED 4W 1 - 6 LED ZOOM 1 - 2 LED 12W (DimToWarm) | @230Vac | 22 79 124 | Ø 84 | |
| | | 10 - 23 LED 1W 1 - 8 LED 4W 1 - 6 LED ZOOM 1 - 2 LED 12W (DimToWarm) | @110Vac | | | |

POTENZIOMETRO
POTENTIOMETER

CODE
POT-M-REG-N





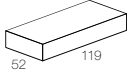
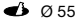





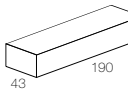







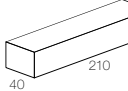







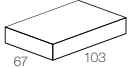
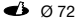







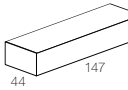









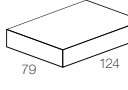
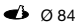






*Disponibile su richiesta
Available upon request

Alimentatori 350mA IP20

350mA LED driver IP20



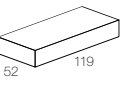







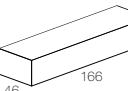





DIMMERABILI - DALI

DIMMABLE - DALI

| IP20 | CODE | MIN - MAX LED | Vin | DIMENSIONS (mm) | CUT-OUT | CERTIFICATIONS |
|---|---------------|---|---------|--|---|---|
|   | CC20-D-350-N | 4 - 14 LED 1W 1 - 4 LED 4W 1 - 3 LED ZOOM 1 LED 12W | @230Vac |  22 52 119 |  Ø 55 |     |
| | | 4 - 14 LED 1W 1 - 4 LED 4W 1 - 3 LED ZOOM 1 LED 12W | @110Vac | | | |
|  | CC20-D-350-NT | 7 - 16 LED 1W 3 - 5 LED 4W 2 - 4 LED ZOOM 1 LED 12W | @230Vac |  30 43 190 |  Ø 62 |      |
|  | CC30-D-350-NL | 1 - 18 LED 1W 1 - 6 LED 4W 1 - 4 LED ZOOM 1 LED 12W | @230Vac |  34 40 210 |  Ø 54 |     |
| | | 1 - 18 LED 1W 1 - 6 LED 4W 1 - 4 LED ZOOM 1 LED 12W | @110Vac | | | |
|   | CC32-D-350-N | 2 - 16 LED 1W 1 - 4 LED 4W 1 - 4 LED ZOOM 1 LED 12W | @230Vac |  21 67 103 |  Ø 72 |     |
| | | 2 - 14 LED 1W 1 - 3 LED 4W 1 - 3 LED ZOOM 1 LED 12W | @110Vac | | | |
|    | CC38-D-350-N | 4 - 18 LED 1W 2 - 5 LED 4W 1 - 4 LED ZOOM 1 LED 12W | @230Vac |  30 44 147 |  Ø 54 |     |
| | | | | | | |
|     | CC50-D-350-N | 10 - 23 LED 1W 1 - 8 LED 4W 1 - 6 LED ZOOM 1 - 2 LED 12W | @230Vac |  22 79 124 |  Ø 84 |       |
| | | 10 - 23 LED 1W 1 - 8 LED 4W 1 - 6 LED ZOOM 1 - 2 LED 12W | @110Vac | | | |

DIMMERABILI - TAGLIO DI FASE (IGBT - TRIAC)

DIMMABLE - PHASE CUT (IGBT - TRIAC)

| IP20 | CODE | MIN - MAX LED | Vin | DIMENSIONS (mm) | CUT-OUT | CERTIFICATIONS |
|---|--------------|--|---------|--|---|---|
|   | CC18-C-350-N | 9 - 17 LED 1W 3 - 5 LED 4W 2 - 4 LED ZOOM 1 LED 12W | @230Vac |  22 52 119 |  Ø 55 |     |
| | | | | | | |
|   | CC32-C-350-N | 1 - 15 LED 1W 1 - 5 LED 4W 1 - 3 LED ZOOM 1 LED 12W | @230Vac |  34 46 166 |  Ø 56 |     |
| | | | | | | |

POTENZIOMETRO
POTENTIOMETER




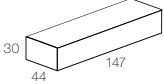

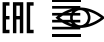
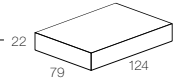








CODE
POT-M-REG-N



*Disponibile su richiesta
Available upon request

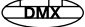

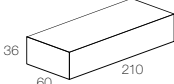



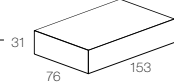

DIMMERABILI - CASAMBI INTEGRATO

DIMMABLE - CASAMBI INTEGRATED

| IP20 | CODE | MIN - MAX LED | Vin | DIMENSIONS (mm) | CUT-OUT | CERTIFICATIONS |
|---|--------------|---|---------|--|--|--|
|    | CC38-B-350-N | 4 - 18 LED 1W 2 - 5 LED 4W 1 - 4 LED ZOOM 1 LED 12W | @230Vac |  30 44 147 |  Ø 54 |  |
| | CC60-B-350-N | 10 - 23 LED 1W 1 - 8 LED 4W 1 - 6 LED ZOOM 1 - 2 LED 12W | @230Vac |  22 79 124 |  Ø 84 |     |
|    | | 10 - 23 LED 1W 1 - 8 LED 4W 1 - 6 LED ZOOM 1 - 2 LED 12W | @110Vac | | | |


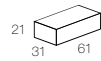



DIMMERABILI - DMX

DIMMABLE - DMX

| IP20 | CODE | MIN - MAX LED | Vin | DIMENSIONS (mm) | CUT-OUT | CERTIFICATIONS |
|---|---|---|---|---|--|--|
|   | CC36-X-350-N | 1 - 30 LED 1W 1 - 9 LED 4W 1 - 9 LED ZOOM 1 - 3 LED 12W 1 - 10 LED 3x1W RGB | @230Vac |  36 60 210 |  Ø 70 |  |
| |  | CC50-X-350-NL | 1 - 40 LED 1W 1 - 12 LED 4W 1 - 12 LED ZOOM 1 - 4 LED 12W 1 - 16 LED 3x1W RGB | @230Vac |  31 76 153 |  Ø 84 |
| | | 1 - 40 LED 1W 1 - 4 LED 4W 1 - 4 LED ZOOM 1 LED 12W 1 - 16 LED 3x1W RGB | @110Vac | | | |

NON DIMMERABILI - FISSI - PER BATTERIA



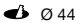
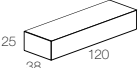

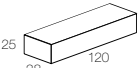

NOT DIMMABLE - FIXED - FOR BATTERY

| IP20 | CODE | MAX LED | Vin | DIMENSIONS (mm) | CUT-OUT | CERTIFICATIONS |
|---|---------------|---|--------|---|--|--|
|  | CC10-F-350-NB | 1 - 3 LED 1W 1 LED 4W 1 LED ZOOM | 12 Vdc |  21 31 61 |  Ø 38 |   |
| | | 1 - 6 LED 1W 1 - 2 LED 4W 1 LED ZOOM | 24 Vdc | | | |
| | | 1 - 12 LED 1W 1 - 4 LED 4W 1 - 3 LED ZOOM | 48 Vdc | | | |



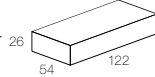
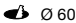

Alimentatori 350mA IP67

350mA LED driver IP67



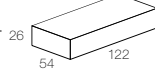
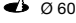




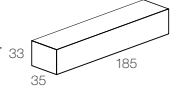

■ NON DIMMERABILI NOT DIMMABLE

|  IP67 | CODE | MIN - MAX LED | Vin | DIMENSIONS (mm) | CUT-OUT | CERTIFICATIONS |
|--|---------------|---|---------|---|--|----------------|
| | CC14-F-350-PI | 1 - 13 LED 1W 1 - 4 LED 4W 1 LED 12W | @230Vac |  |  | |
| | CC15-F-350-PI | 1 - 14 LED 1W 1 - 4 LED 4W 1 LED 12W | @230Vac |  |  | |
| | CC20-F-350-PI | 10 - 18 LED 1W 3 - 5 LED 4W 1 LED 12W | @230Vac |  |  | |



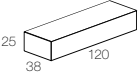
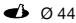

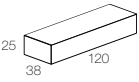

■ DIMMERABILI - MULTIFUNZIONE - PUSH - 1-10 DIMMABLE - MULTIFUNCTION - PUSH - 1-10

|  IP67 | CODE | MIN - MAX LED | Vin | DIMENSIONS (mm) | CUT-OUT | CERTIFICATIONS |
|--|--------------|--|---------|---|--|---|
|  | CC16-M-350-P | 1 - 15 LED 1W 1 - 4 LED 4W 1 LED 12W | @230Vac |  |  |  |
| | | 1 - 14 LED 1W 1 - 3 LED 4W 1 LED 12W | @110Vac | | | |

■ DIMMERABILI - DALI DIMMABLE - DALI

|  IP67 | CODE | MIN - MAX LED | Vin | DIMENSIONS (mm) | CUT-OUT | CERTIFICATIONS |
|--|---------------|--|---------|---|--|---|
|  | CC20-D-350-P | 1 - 16 LED 1W 1 - 5 LED 4W 1 LED 12W | @230Vac |  |  |   |
|  | | 1 - 12 LED 1W 1 - 4 LED 4W 1 LED 12W | @110Vac | | | |
|  | CC55-D-350-PI | 1 - 18 LED 1W 1 - 5 LED 4W 1 LED 12W | @230Vac |  |  | |
| | | 1 - 9 LED 1W 1 - 3 LED 4W | @110Vac | | | |

■ DIMMERABILI - TAGLIO DI FASE (IGBT - TRIAC) DIMMABLE - PHASE CUT (IGBT - TRIAC)

|  IP67 | CODE | MIN - MAX LED | Vin | DIMENSIONS (mm) | CUT-OUT | CERTIFICATIONS |
|--|---------------|---|---------|---|--|----------------|
|  | CC10-C-350-PI | 7 - 10 LED 1W | @230Vac |  |  | |
|  | CC25-C-350-PI | 15 - 23 LED 1W 5 - 7 LED 4W 1 - 2 LED 12W | @230Vac |  |  | |

POTENZIOMETRO
POTENTIOMETER

CODE
POT-M-REG-N

