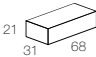

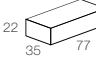



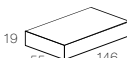

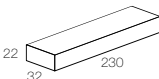

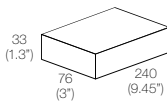


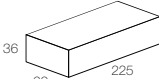

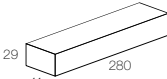

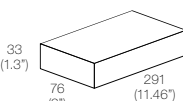


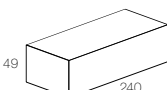



# Alimentatori 24Vdc IP20

## 24Vdc LED driver IP20

### ■ NON DIMMERABILI NOT DIMMABLE

IP20	CODE	MAX LED	Vin	DIMENSIONS (mm)	CUT-OUT	CERTIFICATIONS
	CV6-F-24-NI	6W - 0,25A max 3W - 0,12A max	220-240 Vac 100-120 Vac		 Ø 36	
	CV8-F-24-N	8W - 0,35A max 8W - 0,35A max	220-240 Vac 100-120 Vac		 Ø 42	  <b>ERC</b>
	CV20-F-24-N	21W - 1,04A max 8,5W - 0,42A max	220-240 Vac 100-120 Vac		 Ø 60	<b>ERC</b>
	CV35-F-24-NI	32W - 1,5A max	220-240 Vac		 Ø 39	
	CV60-F-24-NE*	52W - 2,5A max	100-120 Vac		 Ø 84 (3.3")	
	CV70-F-24-N	63W - 2,9A max	220-240 Vac		 Ø 70	<b>ERC</b>
	CV75-F-24-NI	70W - 3,125A max 35W - 1,5A max	220-240 Vac 100-120 Vac		 Ø 49	
	CV100-F-24-NE*	83W - 4A max	100-120 Vac		 Ø 84 (3.3")	
	CV150-F-24-N	140W - 6,25A max	220-240 Vac		 Ø 80	<b>ERC</b>


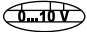

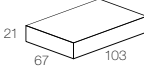





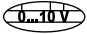

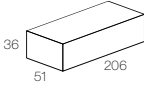

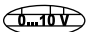
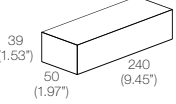





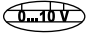




\*Non adatto al mercato UE, solo per utilizzo negli USA  
Not suitable for the UE market, only for USA installation

## Alimentatori 24 Vdc IP20

### 24 Vdc LED driver IP20




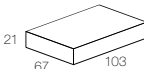





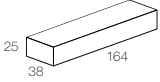


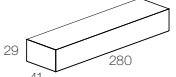


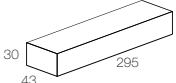


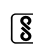



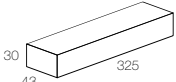





#### DIMMERABILI - MULTIFUNZIONE - PUSH - 1-10

##### DIMMABLE - MULTIFUNCTION - PUSH - 1-10

 IP20	CODE	MAX LED	V <sub>in</sub>	DIMENSIONS (mm)	CUT-OUT	CERTIFICATIONS
 	CV20-M-24-N	18W - 0,83A max	220-240 Vac	 21 67 103	 Ø 72	   
		13W - 0,62A max	100-120 Vac			
 	CV50-M-24-NQ	55W - 2,5A max	220-240 Vac	 36 51 206	 Ø 60	
		37W - 1,66A max	100-120 Vac			
	CV60-M-24-NE*	52W - 2,5A max	100-120 Vac	 39 (1.53") 50 (1.97") 240 (9.45")	 Ø 84 (3.3")	  
	CV100-M-24-NE*	83W - 4A max	100-120 Vac	 33 (1.3") 76 (3") 291 (11.46")	 Ø 84 (3.3")	  

#### DIMMERABILI - DALI

##### DIMMABLE - DALI

 IP20	CODE	MAX LED	V <sub>in</sub>	DIMENSIONS (mm)	CUT-OUT	CERTIFICATIONS
 	CV20-D-24-N	18W - 0,83A max	220-240 Vac	 21 67 103	 Ø 72	  
		13W - 0,62A max	100-120 Vac			
	CV25-D-24-NI	22W - 1A max	220-240 Vac	 25 38 164	 Ø 44	
	CV75-D-24-NI	67W - 3,125A max	220-240 Vac	 29 41 280	 Ø 49	
	CV100-D-24-NT	93W - 4,167A max	220-240 Vac	 30 43 295	 Ø 54	   
	CV150-D-24-NT	112W - 6,25A max	220-240 Vac	 30 43 325	 Ø 54	   

POTENZIOMETRO  
POTENTIOMETER

CODE  
POT-M-REG-N





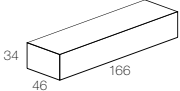






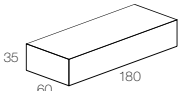

\*Non adatto al mercato UE, solo per utilizzo negli USA  
Not suitable for the UE market, only for USA installation

## Alimentatori 24 Vdc IP20

### 24 Vdc LED driver IP20



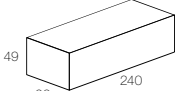


#### DIMMERABILI - TAGLIO DI FASE (IGBT - TRIAC)

##### DIMMABLE - PHASE CUT (IGBT - TRIAC)

IP20	CODE	MAX LED	Vin	DIMENSIONS (mm)	CUT-OUT	CERTIFICATIONS
 	CV20-C-24-N	18W - 0,9A max	220-240 Vac		 Ø 56	   EAC
  <small>DMX-TO-WARM</small>	CV45-C-24-N	37W - 1,87A max	220-240 Vac		 Ø 80	EAC


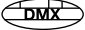
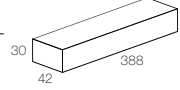




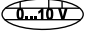




#### DIMMERABILI - CASAMBI INTEGRATO

##### DIMMABLE - CASAMBI INTEGRATED

IP20	CODE	MAX LED	Vin	DIMENSIONS (mm)	CUT-OUT	CERTIFICATIONS
 	CV120-B-24-N	110W - 5A max	220-240 Vac		 Ø 80	 EAC

#### DIMMERABILI - DMX-DALI

##### DIMMABLE - DMX-DALI

IP20	CODE	MAX LED	Vin	DIMENSIONS (mm)	CUT-OUT	CERTIFICATIONS
 	CV100-L-24-NL	94W - 1A (x4ch) max	220-240 Vac		 Ø 57	  
		94W - 1A (x4ch) max	100-120 Vac			
 	CV120-Y-24-N	115W - 5A max (100 su 1ch)	220-240 Vac		 Ø 80	 EAC

POTENZIOMETRO  
POTENTIOMETER

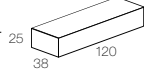

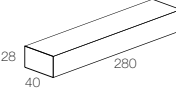

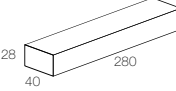

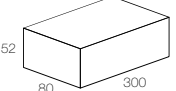



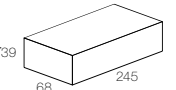


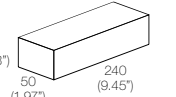
CODE  
POT-M-REG-N



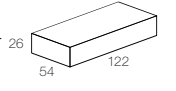


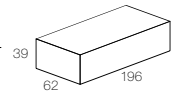

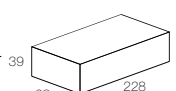

# Alimentatori 24Vdc IP67

## 24Vdc LED driver IP67

### ■ NON DIMMERABILI NOT DIMMABLE

IP67	CODE	MAX LED	Vin	DIMENSIONS (mm)	CUT-OUT	CERTIFICATIONS
IP67	CV30-F-24-PI	26W - 1,5A max	220-240 Vac	 25 38 120	 Ø 44	
		13W - 0,6A max	100-120 Vac			
IP67	CV75-F-24-PI	72W - 3,125A max	220-240 Vac	 28 40 280	 Ø 48	
IP67	CV150-F-24-PI	140W - 6,250A max	220-240 Vac	 28 40 280	 Ø 48	
IP67	CV70-F-24-P	63W - 2,90A max	220-240 Vac	 52 80 300	 Ø 85	EAC
IP67	CV150-F-24-P	140W - 6,25A max	220-240 Vac	 52 80 300	 Ø 85	EAC
IP67	CV240-F-24-PM	215W - 10A max	220-240 Vac	 39 68 245	 Ø 79	UL PS E CCC S EAC cULus
		215W - 10A max	100-120 Vac			
IP66	CV260-F-24-PW*	235W - 10,83A max	100-120 Vac	 39 (1.53") 50 (1.97") 240 (9.45")	 Ø 64 (2.52")	UL LISTED CLASS P

### ■ DIMMERABILI - MULTIFUNZIONE - PUSH - 1-10 DIMMABLE - MULTIFUNCTION - PUSH - 1-10

IP67	CODE	MAX LED	Vin	DIMENSIONS (mm)	CUT-OUT	CERTIFICATIONS
IP67	CV20-M-24-P	15W - 0,7A max	220-240 Vac	 26 54 122	 Ø 60	
		13W - 0,6A max	100-120 Vac			
IP67	CV80-R-24-PM	72W - 3,4A max	220-240 Vac	 39 62 196	 Ø 74	UL CCC S EAC cULus KC
		72W - 3,4A max	100-120 Vac			
IP67	CV185-R-24-PM	165W - 7,8A max	220-240 Vac	 39 68 228	 Ø 79	CCC cULus
		165W - 7,8A max	100-120 Vac			

POTENZIOMETRO  
POTENTIOMETER


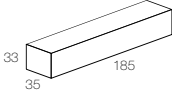


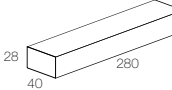

CODE  
POT-M-REG-N



\*Non adatto al mercato UE, solo per utilizzo negli USA  
Not suitable for the UE market, only for USA installation



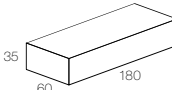


## DIMMERABILI - DALI

### DIMMABLE - DALI

IP67	CODE	MAX LED	Vin	DIMENSIONS (mm)	CUT-OUT	CERTIFICATIONS
	CV25-D-24-PI	23W - 1A max	220-240 Vac		 Ø 48	
	CV75-D-24-PI	70W - 3,125A max	220-240 Vac		 Ø 48	

## DIMMERABILI - TAGLIO DI FASE (IGBT - TRIAC)

### DIMMABLE - PHASE CUT (IGBT - TRIAC)

IP66	CODE	MAX LED	Vin	DIMENSIONS (mm)	CUT-OUT	CERTIFICATIONS
  <small>DIM-TO-WARM</small>	CV80-C-24-P	66W - 3,33A max	220-240 Vac		 Ø 85	

POTENZIOMETRO  
POTENTIOMETER

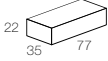



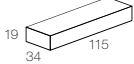










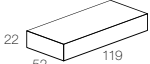



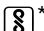
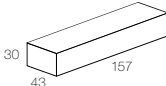




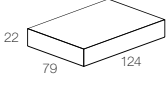






CODE  
POT-M-REG-N



# Alimentatori 350mA IP20

## 350mA LED driver IP20

### ■ NON DIMMERABILI NOT DIMMABLE

IP20	CODE	MIN - MAX LED	Vin	DIMENSIONS (mm)	CUT-OUT	CERTIFICATIONS
IP20	CC6-F-350-N	1 - 6 LED 1W 1 LED 4W 1 LED ZOOM	@230Vac		 Ø 42	  * EAC
		1 - 6 LED 1W 1 LED 4W 1 LED ZOOM	@110Vac			
IP20	CC14-F-350N	1 - 13 LED 1W 1 - 4 LED 4W 1 - 3 LED ZOOM 1 LED 12W	@230Vac		 Ø 40	    *
		1 - 9 LED 1W 1 - 2 LED 4W 1 - 2 LED ZOOM	@110Vac			
IP20	CC15-F-350-S	1 - 13 LED 1W 1 - 3 LED 4W 1 - 3 LED ZOOM 1 LED 12W	@230Vac		 Ø 32	   * EAC
		1 - 5 LED 1W 1 LED 4W 1 LED ZOOM	@110Vac			
IP20	CC20-F-350-N	1 - 16 LED 1W 1 - 5 LED 4W 1 - 4 LED ZOOM 1 LED 12W	@230Vac		 Ø 55	   * EAC
IP20	CC25-F-350-NT	7 - 16 LED 1W 3 - 5 LED 4W 2 - 4 LED ZOOM 1 LED 12W	@230Vac		 Ø 53	  EAC 
IP20	CC50-F-350-N	10 - 23 LED 1W 1 - 8 LED 4W 1 - 6 LED ZOOM 1 - 2 LED 12W	@230Vac		 Ø 84	    * EAC 
		10 - 23 LED 1W 1 - 8 LED 4W 1 - 6 LED ZOOM 1 - 2 LED 12W	@110Vac			

## DIMMERABILI - MULTIFUNZIONE - PUSH - 1-10

DIMMABLE - MULTIFUNCTION - PUSH - 1-10

IP20	CODE	MIN - MAX LED	Vin	DIMENSIONS (mm)	CUT-OUT	CERTIFICATIONS
	CC20-M-350-N	1 - 14 LED 1W 1 - 4 LED 4W 1 - 3 LED ZOOM 1 LED 12W	@230Vac	 22 52 119	Ø 55	
		1 - 14 LED 1W 1 - 4 LED 4W 1 - 3 LED ZOOM 1 LED 12W	@110Vac			
	CC30-M-350-NL	1 - 18 LED 1W 1 - 6 LED 4W 1 - 4 LED ZOOM 1 LED 12W	@230Vac	 34 40 210	Ø 54	
		1 - 18 LED 1W 1 - 6 LED 4W 1 - 4 LED ZOOM 1 LED 12W	@110Vac			
	CC32-M-350-N	4 - 17 LED 1W 2 - 5 LED 4W 1 - 4 LED ZOOM 1 LED 12W	@230Vac	 21 67 103	Ø 72	
		4 - 14 LED 1W 2 - 3 LED 4W 1 - 3 LED ZOOM 1 LED 12W	@110Vac			
	CC40-M-350-NR	4 - 18 LED 1W 2 - 6 LED 4W 1 - 4 LED ZOOM 1 LED 12W	@230Vac	 24 60 126	Ø 64	
		4 - 18 LED 1W 2 - 6 LED 4W 1 - 4 LED ZOOM 1 LED 12W	@110Vac			
	CC50-M-350-N	10 - 23 LED 1W 1 - 8 LED 4W 1 - 6 LED ZOOM 1 - 2 LED 12W	@230Vac	 22 79 124	Ø 84	
		10 - 23 LED 1W 1 - 8 LED 4W 1 - 6 LED ZOOM 1 - 2 LED 12W	@110Vac			
	CC20-A-350-N	5 - 16 LED 1W 2 - 4 LED 4W 2 - 4 LED ZOOM 1 LED 12W (DimToWarm)	@230Vac	 22 52 119	Ø 72	
		5 - 15 LED 1W 2 - 3 LED 4W 2 - 3 LED ZOOM 1 LED 12W (DimToWarm)	@110Vac			
	CC50-A-350-N	10 - 23 LED 1W 1 - 8 LED 4W 1 - 6 LED ZOOM 1 - 2 LED 12W (DimToWarm)	@230Vac	 22 79 124	Ø 84	
		10 - 23 LED 1W 1 - 8 LED 4W 1 - 6 LED ZOOM 1 - 2 LED 12W (DimToWarm)	@110Vac			

POTENZIOMETRO  
POTENTIOMETER

CODE  
POT-M-REG-N





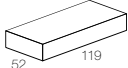
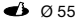




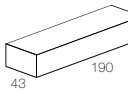
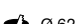





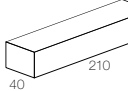
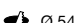

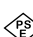




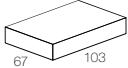
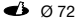





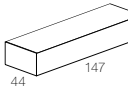
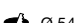

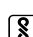





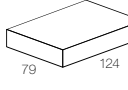
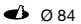


\*Disponibile su richiesta  
Available upon request

## Alimentatori 350mA IP20

### 350mA LED driver IP20



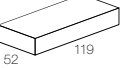
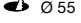





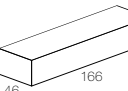




#### DIMMERABILI - DALI

##### DIMMABLE - DALI

IP20	CODE	MIN - MAX LED	Vin	DIMENSIONS (mm)	CUT-OUT	CERTIFICATIONS
 	CC20-D-350-N	4 - 14 LED 1W 1 - 4 LED 4W 1 - 3 LED ZOOM 1 LED 12W	@230Vac	 22 52 119	 Ø 55	   *           EAC
		4 - 14 LED 1W 1 - 4 LED 4W 1 - 3 LED ZOOM 1 LED 12W	@110Vac			
	CC20-D-350-NT	7 - 16 LED 1W 3 - 5 LED 4W 2 - 4 LED ZOOM 1 LED 12W	@230Vac	 30 43 190	 Ø 62	   EAC 
	CC30-D-350-NL	1 - 18 LED 1W 1 - 6 LED 4W 1 - 4 LED ZOOM 1 LED 12W	@230Vac	 34 40 210	 Ø 54	   
		1 - 18 LED 1W 1 - 6 LED 4W 1 - 4 LED ZOOM 1 LED 12W	@110Vac			
 	CC32-D-350-N	2 - 16 LED 1W 1 - 4 LED 4W 1 - 4 LED ZOOM 1 LED 12W	@230Vac	 21 67 103	 Ø 72	  *           UL US           EAC
		2 - 14 LED 1W 1 - 3 LED 4W 1 - 3 LED ZOOM 1 LED 12W	@110Vac			
  	CC38-D-350-N	4 - 18 LED 1W 2 - 5 LED 4W 1 - 4 LED ZOOM 1 LED 12W	@230Vac	 30 44 147	 Ø 54	  *           EAC 
   	CC50-D-350-N	10 - 23 LED 1W 1 - 8 LED 4W 1 - 6 LED ZOOM 1 - 2 LED 12W	@230Vac	 22 79 124	 Ø 84	  *           UL US           S*           EAC           SELV 120V
		10 - 23 LED 1W 1 - 8 LED 4W 1 - 6 LED ZOOM 1 - 2 LED 12W	@110Vac			

#### DIMMERABILI - TAGLIO DI FASE (IGBT - TRIAC)

##### DIMMABLE - PHASE CUT (IGBT - TRIAC)

IP20	CODE	MIN - MAX LED	Vin	DIMENSIONS (mm)	CUT-OUT	CERTIFICATIONS
 	CC18-C-350-N	9 - 17 LED 1W 3 - 5 LED 4W 2 - 4 LED ZOOM 1 LED 12W	@230Vac	 22 52 119	 Ø 55	  EAC 
 	CC32-C-350-N	1 - 15 LED 1W 1 - 5 LED 4W 1 - 3 LED ZOOM 1 LED 12W	@230Vac	 34 46 166	 Ø 56	   *           EAC

POTENZIOMETRO  
POTENTIOMETER

CODE  
POT-M-REG-N




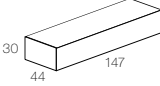



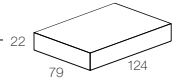











\*Disponibile su richiesta  
Available upon request



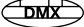

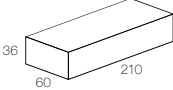


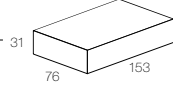




## DIMMERABILI - CASAMBI INTEGRATO

DIMMABLE - CASAMBI INTEGRATED

IP20	CODE	MIN - MAX LED	Vin	DIMENSIONS (mm)	CUT-OUT	CERTIFICATIONS
  	CC38-B-350-N	4 - 18 LED 1W 2 - 5 LED 4W 1 - 4 LED ZOOM 1 LED 12W	@230Vac	 30 44 147	 Ø 54	 
	CC60-B-350-N	10 - 23 LED 1W 1 - 8 LED 4W 1 - 6 LED ZOOM 1 - 2 LED 12W	@230Vac	 22 79 124	 Ø 84	    
  		10 - 23 LED 1W 1 - 8 LED 4W 1 - 6 LED ZOOM 1 - 2 LED 12W	@110Vac			


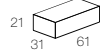



## DIMMERABILI - DMX

DIMMABLE - DMX

IP20	CODE	MIN - MAX LED	Vin	DIMENSIONS (mm)	CUT-OUT	CERTIFICATIONS
 	CC36-X-350-N	1 - 30 LED 1W 1 - 9 LED 4W 1 - 9 LED ZOOM 1 - 3 LED 12W 1 - 10 LED 3x1W RGB	@230Vac	 36 60 210	 Ø 70	
	CC50-X-350-NL	1 - 40 LED 1W 1 - 12 LED 4W 1 - 12 LED ZOOM 1 - 4 LED 12W 1 - 16 LED 3x1W RGB	@230Vac	 31 76 153	 Ø 84	 
		1 - 40 LED 1W 1 - 4 LED 4W 1 - 4 LED ZOOM 1 LED 12W 1 - 16 LED 3x1W RGB	@110Vac			

## NON DIMMERABILI - FISSI - PER BATTERIA

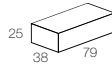

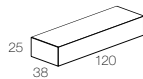

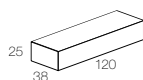

NOT DIMMABLE - FIXED - FOR BATTERY

IP20	CODE	MAX LED	Vin	DIMENSIONS (mm)	CUT-OUT	CERTIFICATIONS
	CC10-F-350-NB	1 - 3 LED 1W 1 LED 4W 1 LED ZOOM	12 Vdc	 21 31 61	 Ø 38	 
		1 - 6 LED 1W 1 - 2 LED 4W 1 LED ZOOM	24 Vdc			
		1 - 12 LED 1W 1 - 4 LED 4W 1 - 3 LED ZOOM	48 Vdc			


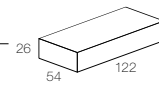


# Alimentatori 350mA IP67

## 350mA LED driver IP67



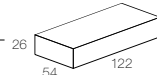





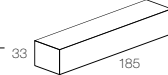

### ■ NON DIMMERABILI NOT DIMMABLE

IP67	CODE	MIN - MAX LED	Vin	DIMENSIONS (mm)	CUT-OUT	CERTIFICATIONS
	CC14-F-350-PI	1 - 13 LED 1W 1 - 4 LED 4W 1 LED 12W	@230Vac			
	CC15-F-350-PI	1 - 14 LED 1W 1 - 4 LED 4W 1 LED 12W	@230Vac			
	CC20-F-350-PI	10 - 18 LED 1W 3 - 5 LED 4W 1 LED 12W	@230Vac			


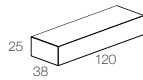


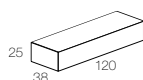

### ■ DIMMERABILI - MULTIFUNZIONE - PUSH - 1-10 DIMMABLE - MULTIFUNCTION - PUSH - 1-10

IP67	CODE	MIN - MAX LED	Vin	DIMENSIONS (mm)	CUT-OUT	CERTIFICATIONS
	CC16-M-350-P	1 - 15 LED 1W 1 - 4 LED 4W 1 LED 12W	@230Vac			
		1 - 14 LED 1W 1 - 3 LED 4W 1 LED 12W	@110Vac			

### ■ DIMMERABILI - DALI DIMMABLE - DALI

IP67	CODE	MIN - MAX LED	Vin	DIMENSIONS (mm)	CUT-OUT	CERTIFICATIONS
 	CC20-D-350-P	1 - 16 LED 1W 1 - 5 LED 4W 1 LED 12W	@230Vac			  
		1 - 12 LED 1W 1 - 4 LED 4W 1 LED 12W	@110Vac			
	CC55-D-350-PI	1 - 18 LED 1W 1 - 5 LED 4W 1 LED 12W	@230Vac			
		1 - 9 LED 1W 1 - 3 LED 4W	@110Vac			

### ■ DIMMERABILI - TAGLIO DI FASE (IGBT - TRIAC) DIMMABLE - PHASE CUT (IGBT - TRIAC)

IP67	CODE	MIN - MAX LED	Vin	DIMENSIONS (mm)	CUT-OUT	CERTIFICATIONS
	CC10-C-350-PI	7 - 10 LED 1W	@230Vac			
	CC25-C-350-PI	15 - 23 LED 1W 5 - 7 LED 4W 1 - 2 LED 12W	@230Vac			

POTENZIOMETRO  
POTENTIOMETER

CODE  
POT-M-REG-N

