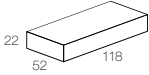


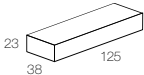

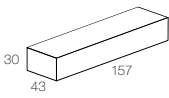







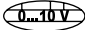


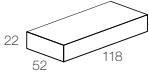


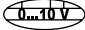
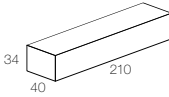


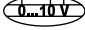


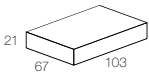


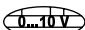
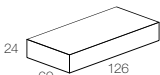







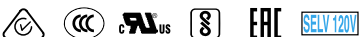
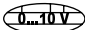



Alimentatori 700mA IP20

700mA LED driver IP20

NON DIMMERABILI NOT DIMMABLE

IP20	CODE	MIN - MAX LED	Vin	DIMENSIONS (mm)	CUT-OUT	CERTIFICATIONS
	CC20-F-700-N	1 - 9 LED 2W 1 - 2 LED 9W 1 LED 13W	@230Vac	 22 52 118	 Ø 55	
	CC20-F-700-NI	1 LED 13W	@230Vac	 23 38 125	 Ø 42	
	CC25-F-700-NT	7 - 11 LED 2W 2 LED 9W 1 LED 13W 1 LED 25W	@230Vac	 30 43 157	 Ø 45	
	CC50-F-700-N	10 - 22 LED 2W 1 - 5 LED 9W 1 - 3 LED 13W 1 - 2 LED 25W	@230Vac	 22 79 124	 Ø 84	
		10 - 12 LED 2W 1 - 3 LED 9W 1 - 3 LED 13W 1 LED 25W	@110Vac			

DIMMERABILI - MULTIFUNZIONE - PUSH - 1-10 DIMMABLE - MULTIFUNCTION - PUSH - 1-10



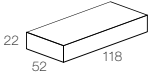





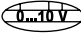
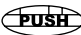

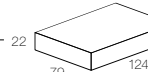







IP20	CODE	MIN - MAX LED	Vin	DIMENSIONS (mm)	CUT-OUT	CERTIFICATIONS
  	CC20-M-700-N	1 - 9 LED 2W 1 - 2 LED 9W 1 LED 13W	@230Vac	 22 52 118	 Ø 55	
		1 - 4 LED 2W 1 LED 9W 1 LED 13W	@110Vac			
	CC30-M-700-NL	1 - 12 LED 2W 1 - 3 LED 9W 1 - 2 LED 13W 1 LED 25W	@230Vac	 34 40 210	 Ø 54	
		1 - 12 LED 2W 1 - 3 LED 9W 1 - 2 LED 13W 1 LED 25W	@110Vac			
  	CC32-M-700-N	1 - 14 LED 2W 1 - 3 LED 9W 1 - 2 LED 13W 1 LED 25W	@230Vac	 21 67 103	 Ø 72	
		1 - 7 LED 2W 1 LED 9W 1 LED 13W	@110Vac			
	CC40-M-700-NR	4 - 17 LED 2W 1 - 4 LED 9W 1 - 3 LED 13W 1 LED 25W	@230Vac	 24 60 126	 Ø 64	
		4 - 17 LED 2W 1 - 4 LED 9W 1 - 3 LED 13W 1 LED 25W	@110Vac			
  	CC50-M-700-N	10 - 22 LED 2W 1 - 5 LED 9W 1 - 3 LED 13W 1 - 2 LED 25W	@230Vac	 22 79 124	 Ø 84	
		10 - 12 LED 2W 1 - 3 LED 9W 1 - 3 LED 13W 1 LED 25W	@110Vac			
	CC50-M-700-NL	1 - 17 LED 2W 1 - 4 LED 9W 1 - 3 LED 13W 1 LED 25W	@230Vac	 31 77 153	 Ø 84	
		1 - 17 LED 2W 1 - 4 LED 9W 1 - 3 LED 13W 1 LED 25W	@110Vac			

POTENZIOMETRO
POTENTIOMETER




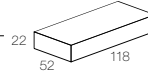




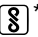

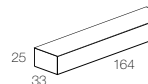


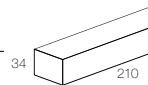







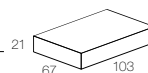





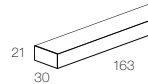




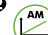
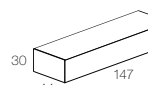


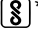


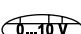



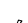






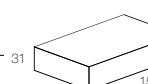






CODE
POT-M-REG-N



DIMMERABILI - MULTIFUNZIONE - PUSH - 1-10
 DIMMABLE - MULTIFUNCTION - PUSH - 1-10

	CODE	MIN - MAX LED	Vin	DIMENSIONS (mm)	CUT-OUT	CERTIFICATIONS
  DIM-TO-WARM	CC36-A-700-N	4 - 15 LED 2W 1 - 4 LED 9W 1 - 2 LED 13W 1 LED 25W	@230Vac	 22 52 118	 Ø 55	   ERC 
   DIM-TO-WARM	CC50-A-700-N	10 - 22 LED 2W 1 - 5 LED 9W 1 - 3 LED 13W 1 - 2 LED 25W	@230Vac	 22 79 124	 Ø 84	  c   ERC  
		10 - 12 LED 2W 1 - 3 LED 9W 1 - 3 LED 13W 1 LED 25W	@110Vac			

DIMMERABILI - DALI
 DIMMABLE - DALI




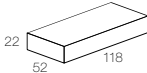
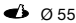

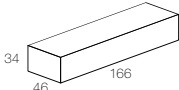
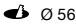

	CODE	MIN - MAX LED	Vin	DIMENSIONS (mm)	CUT-OUT	CERTIFICATIONS
   DIM-TO-WARM	CC20-D-700-N	1 - 9 LED 2W 1 - 2 LED 9W 1 LED 13W	@230Vac	 22 52 118	 Ø 55	  c   * ERC
		1 - 4 LED 2W 1 LED 9W 1 LED 13W	@110Vac			
	CC25-D-700-NI	1 - 12 LED 2W 1 - 4 LED 9W 1 LED 13W	@230Vac	 25 33 164	 Ø 44	
	CC30-D-700-NL	1 - 12 LED 2W 1 - 3 LED 9W 1 - 2 LED 13W 1 LED 25W	@230Vac	 34 40 210	 Ø 54	  * c  
		1 - 12 LED 2W 1 - 3 LED 9W 1 - 2 LED 13W 1 LED 25W	@110Vac			
 	CC32-D-700-N	1 - 14 LED 2W 1 - 3 LED 9W 1 - 2 LED 13W 1 LED 25W	@230Vac	 21 67 103	 Ø 72	 c 
		1 - 7 LED 2W 1 LED 9W 1 LED 13W	@110Vac			
 	CC36-D-700-SP	1 - 2 LED 13W	@230Vac	 21 30 163	 Ø 37	
   DIM-TO-WARM	CC38-D-700-N	4 - 16 LED 2W 1 - 4 LED 9W 1 - 2 LED 13W 1 LED 25W	@230Vac	 30 44 147	 Ø 54	  * ERC 
   	CC50-D-700-N	10 - 22 LED 2W 1 - 5 LED 9W 1 - 3 LED 13W 1 - 2 LED 25W	@230Vac	 22 79 124	 Ø 84	  * c   * ERC 
		10 - 12 LED 2W 1 - 3 LED 9W 1 - 3 LED 13W 1 LED 25W	@110Vac			
	CC50-D-700-NL	1 - 17 LED 2W 1 - 4 LED 9W 1 - 3 LED 13W 1 LED 25W	@230Vac	 31 77 153	 Ø 84	  * c   * 
		1 - 17 LED 2W 1 - 4 LED 9W 1 - 3 LED 13W 1 LED 25W	@110Vac			

Alimentatori 700mA IP20

700mA LED driver IP20





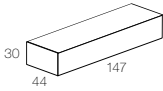
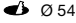

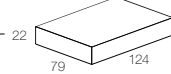
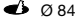




DIMMERABILI - TAGLIO DI FASE (IGBT - TRIAC)

DIMMABLE - PHASE CUT (IGBT - TRIAC)

IP20	CODE	MIN - MAX LED	Vin	DIMENSIONS (mm)	CUT-OUT	CERTIFICATIONS
   <small>DM-T0-HEARM</small>	CC20-C-700-N	2 - 9 LED 2W 1 - 2 LED 9W 1 LED 13W	@230Vac			
	CC32-C-700-N	1 - 14 LED 2W 1 - 3 LED 9W 1 - 2 LED 13W 1 LED 25W	@230Vac			



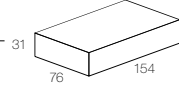
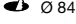

DIMMERABILI - CASAMBI INTEGRATO

DIMMABLE - CASAMBI INTEGRATED

IP20	CODE	MIN - MAX LED	Vin	DIMENSIONS (mm)	CUT-OUT	CERTIFICATIONS
    <small>DM-T0-HEARM</small>	CC38-B-700-N	4 - 15 LED 2W 1 - 4 LED 9W 1 - 2 LED 13W 1 LED 25W	@230Vac			
	CC60-B-700-N	10 - 22 LED 2W 1 - 5 LED 9W 1 - 3 LED 13W 1 - 2 LED 25W	@230Vac			
   <small>DM-T0-HEARM</small>		10 - 12 LED 2W 1 - 3 LED 9W 1 - 3 LED 13W 1 LED 25W	@110Vac			


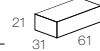
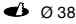

DIMMERABILI - DMX

DIMMABLE - DMX

IP20	CODE	MIN - MAX LED	Vin	DIMENSIONS (mm)	CUT-OUT	CERTIFICATIONS
 	CC50-X-700-NL	1 - 17 LED 2W 1 - 4 LED 9W 1 - 3 LED 13W 1 LED 25W	@230Vac			
		1 - 17 LED 2W 1 - 4 LED 9W 1 - 3 LED 13W 1 LED 25W	@110Vac			

NON DIMMERABILI - FISSI - PER BATTERIA

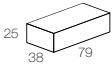

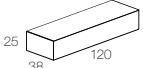

NOT DIMMABLE - FIXED - FOR BATTERY

IP20	CODE	MAX LED	Vin	DIMENSIONS (mm)	CUT-OUT	CERTIFICATIONS
	CC28-F-700-NB	1 - 3 LED 2W	12 Vdc			
		1 - 6 LED 2W 1 LED 9W 1 LED 13W	24 Vdc			
		1 - 12 LED 2W 1 - 3 LED 9W 1 - 2 LED 13W 1 LED 25W	48 Vdc			

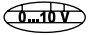
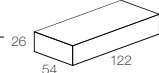


Alimentatori 700mA IP67

700mA LED driver IP67



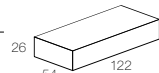




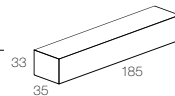

■ NON DIMMERABILI NOT DIMMABLE

IP67	CODE	MIN - MAX LED	Vin	DIMENSIONS (mm)	CUT-OUT	CERTIFICATIONS
	CC14-F-700-PI	1 LED 9W	@230Vac		 Ø 44	
	CC20-F-700-PI	1 - 2 LED 9W	@230Vac		 Ø 44	


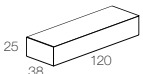

■ DIMMERABILI - MULTIFUNZIONE - PUSH - 1-10 DIMMABLE - MULTIFUNCTION - PUSH - 1-10

IP67	CODE	MIN - MAX LED	Vin	DIMENSIONS (mm)	CUT-OUT	CERTIFICATIONS
	CC20-M-700-P	1 - 2 LED 9W	@230Vac		 Ø 60	 ERC
		1 LED 9W	@110Vac			

■ DIMMERABILI - DALI DIMMABLE - DALI

IP67	CODE	MIN - MAX LED	Vin	DIMENSIONS (mm)	CUT-OUT	CERTIFICATIONS
  <small>DM-TU-00008</small>	CC30-D-700-P	1 - 3 LED 9W	@230Vac		 Ø 60	 ERC 
		1 LED 9W	@110Vac			
	CC55-D-700-PI	1 - 4 LED 9W	@230Vac		 Ø 48	
		1 - 2 LED 9W	@110Vac			

■ DIMMERABILI - TAGLIO DI FASE (IGBT - TRIAC) DIMMABLE - PHASE CUT (IGBT - TRIAC)

IP67	CODE	MIN - MAX LED	Vin	DIMENSIONS (mm)	CUT-OUT	CERTIFICATIONS
	CC25-C-700-PI	2 LED 9W	@230Vac		 Ø 44	

POTENZIOMETRO
POTENTIOMETER

CODE
POT-M-REG-N

