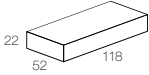


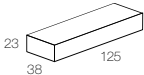

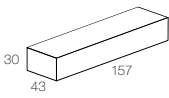







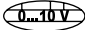


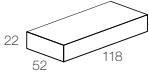


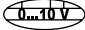
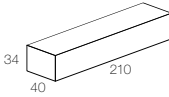


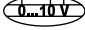


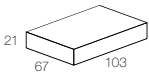


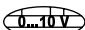
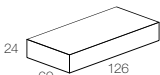








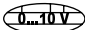



# Alimentatori 700mA IP20

## 700mA LED driver IP20

### NON DIMMERABILI NOT DIMMABLE

IP20	CODE	MIN - MAX LED	Vin	DIMENSIONS (mm)	CUT-OUT	CERTIFICATIONS
	CC20-F-700-N	1 - 9 LED 2W 1 - 2 LED 9W 1 LED 13W	@230Vac	 22 52 118	 Ø 55	
	CC20-F-700-NI	1 LED 13W	@230Vac	 23 38 125	 Ø 42	
	CC25-F-700-NT	7 - 11 LED 2W 2 LED 9W 1 LED 13W 1 LED 25W	@230Vac	 30 43 157	 Ø 45	
	CC50-F-700-N	10 - 22 LED 2W 1 - 5 LED 9W 1 - 3 LED 13W 1 - 2 LED 25W	@230Vac	 22 79 124	 Ø 84	
		10 - 12 LED 2W 1 - 3 LED 9W 1 - 3 LED 13W 1 LED 25W	@110Vac			

### DIMMERABILI - MULTIFUNZIONE - PUSH - 1-10 DIMMABLE - MULTIFUNCTION - PUSH - 1-10



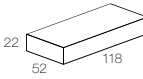








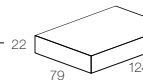








IP20	CODE	MIN - MAX LED	Vin	DIMENSIONS (mm)	CUT-OUT	CERTIFICATIONS
  	CC20-M-700-N	1 - 9 LED 2W 1 - 2 LED 9W 1 LED 13W	@230Vac	 22 52 118	 Ø 55	
		1 - 4 LED 2W 1 LED 9W 1 LED 13W	@110Vac			
	CC30-M-700-NL	1 - 12 LED 2W 1 - 3 LED 9W 1 - 2 LED 13W 1 LED 25W	@230Vac	 34 40 210	 Ø 54	
		1 - 12 LED 2W 1 - 3 LED 9W 1 - 2 LED 13W 1 LED 25W	@110Vac			
  	CC32-M-700-N	1 - 14 LED 2W 1 - 3 LED 9W 1 - 2 LED 13W 1 LED 25W	@230Vac	 21 67 103	 Ø 72	
		1 - 7 LED 2W 1 LED 9W 1 LED 13W	@110Vac			
	CC40-M-700-NR	4 - 17 LED 2W 1 - 4 LED 9W 1 - 3 LED 13W 1 LED 25W	@230Vac	 24 60 126	 Ø 64	
		4 - 17 LED 2W 1 - 4 LED 9W 1 - 3 LED 13W 1 LED 25W	@110Vac			
  	CC50-M-700-N	10 - 22 LED 2W 1 - 5 LED 9W 1 - 3 LED 13W 1 - 2 LED 25W	@230Vac	 22 79 124	 Ø 84	
		10 - 12 LED 2W 1 - 3 LED 9W 1 - 3 LED 13W 1 LED 25W	@110Vac			
	CC50-M-700-NL	1 - 17 LED 2W 1 - 4 LED 9W 1 - 3 LED 13W 1 LED 25W	@230Vac	 31 77 153	 Ø 84	
		1 - 17 LED 2W 1 - 4 LED 9W 1 - 3 LED 13W 1 LED 25W	@110Vac			

POTENZIOMETRO  
POTENTIOMETER




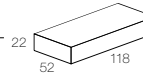






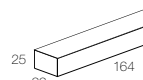


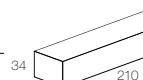


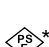




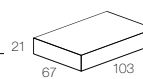





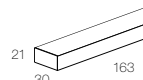





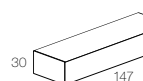
















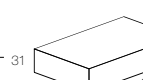


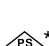



CODE  
POT-M-REG-N



**DIMMERABILI - MULTIFUNZIONE - PUSH - 1-10**  
 DIMMABLE - MULTIFUNCTION - PUSH - 1-10

	CODE	MIN - MAX LED	Vin	DIMENSIONS (mm)	CUT-OUT	CERTIFICATIONS
  <small>DIM-TO-WARM</small>	CC36-A-700-N	4 - 15 LED 2W 1 - 4 LED 9W 1 - 2 LED 13W 1 LED 25W	@230Vac	 22 52 118	 Ø 55	   ERC 
   <small>DIM-TO-WARM</small>	CC50-A-700-N	10 - 22 LED 2W 1 - 5 LED 9W 1 - 3 LED 13W 1 - 2 LED 25W  10 - 12 LED 2W 1 - 3 LED 9W 1 - 3 LED 13W 1 LED 25W	@230Vac     @110Vac	 22 79 124	 Ø 84	     ERC   

**DIMMERABILI - DALI**  
 DIMMABLE - DALI




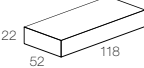


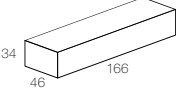

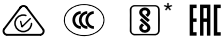
	CODE	MIN - MAX LED	Vin	DIMENSIONS (mm)	CUT-OUT	CERTIFICATIONS
   <small>DIM-TO-WARM</small>	CC20-D-700-N	1 - 9 LED 2W 1 - 2 LED 9W 1 LED 13W  1 - 4 LED 2W 1 LED 9W 1 LED 13W	@230Vac   @110Vac	 22 52 118	 Ø 55	    * ERC
	CC25-D-700-NI	1 - 12 LED 2W 1 - 4 LED 9W 1 LED 13W	@230Vac	 25 33 164	 Ø 44	
	CC30-D-700-NL	1 - 12 LED 2W 1 - 3 LED 9W 1 - 2 LED 13W 1 LED 25W  1 - 12 LED 2W 1 - 3 LED 9W 1 - 2 LED 13W 1 LED 25W	@230Vac  @110Vac	 34 40 210	 Ø 54	  *  
  <small>DIM-TO-WARM</small>	CC32-D-700-N	1 - 14 LED 2W 1 - 3 LED 9W 1 - 2 LED 13W 1 LED 25W  1 - 7 LED 2W 1 LED 9W 1 LED 13W	@230Vac  @110Vac	 21 67 103	 Ø 72	 
  <small>DIM-TO-WARM</small>	CC36-D-700-SP	1 - 2 LED 13W	@230Vac	 21 30 163	 Ø 37	
   <small>DIM-TO-WARM</small>	CC38-D-700-N	4 - 16 LED 2W 1 - 4 LED 9W 1 - 2 LED 13W 1 LED 25W	@230Vac	 30 44 147	 Ø 54	  * ERC 
    <small>DIM-TO-WARM</small>	CC50-D-700-N	10 - 22 LED 2W 1 - 5 LED 9W 1 - 3 LED 13W 1 - 2 LED 25W  10 - 12 LED 2W 1 - 3 LED 9W 1 - 3 LED 13W 1 LED 25W	@230Vac  @110Vac	 22 79 124	 Ø 84	  *   * ERC 
	CC50-D-700-NL	1 - 17 LED 2W 1 - 4 LED 9W 1 - 3 LED 13W 1 LED 25W  1 - 17 LED 2W 1 - 4 LED 9W 1 - 3 LED 13W 1 LED 25W	@230Vac  @110Vac	 31 77 153	 Ø 84	  *   * 

## Alimentatori 700mA IP20

### 700mA LED driver IP20





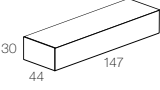


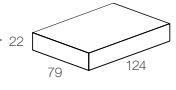





#### DIMMERABILI - TAGLIO DI FASE (IGBT - TRIAC)

##### DIMMABLE - PHASE CUT (IGBT - TRIAC)

IP20	CODE	MIN - MAX LED	Vin	DIMENSIONS (mm)	CUT-OUT	CERTIFICATIONS
  	CC20-C-700-N	2 - 9 LED 2W 1 - 2 LED 9W 1 LED 13W	@230Vac			
	CC32-C-700-N	1 - 14 LED 2W 1 - 3 LED 9W 1 - 2 LED 13W 1 LED 25W	@230Vac			



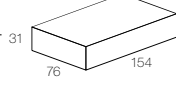


#### DIMMERABILI - CASAMBI INTEGRATO

##### DIMMABLE - CASAMBI INTEGRATED

IP20	CODE	MIN - MAX LED	Vin	DIMENSIONS (mm)	CUT-OUT	CERTIFICATIONS
   	CC38-B-700-N	4 - 15 LED 2W 1 - 4 LED 9W 1 - 2 LED 13W 1 LED 25W	@230Vac			
	CC60-B-700-N	10 - 22 LED 2W 1 - 5 LED 9W 1 - 3 LED 13W 1 - 2 LED 25W	@230Vac			
  		10 - 12 LED 2W 1 - 3 LED 9W 1 - 3 LED 13W 1 LED 25W	@110Vac			


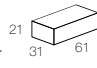


#### DIMMERABILI - DMX

##### DIMMABLE - DMX

IP20	CODE	MIN - MAX LED	Vin	DIMENSIONS (mm)	CUT-OUT	CERTIFICATIONS
 	CC50-X-700-NL	1 - 17 LED 2W 1 - 4 LED 9W 1 - 3 LED 13W 1 LED 25W	@230Vac			
		1 - 17 LED 2W 1 - 4 LED 9W 1 - 3 LED 13W 1 LED 25W	@110Vac			

#### NON DIMMERABILI - FISSI - PER BATTERIA

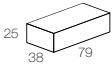

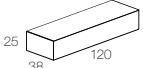

##### NOT DIMMABLE - FIXED - FOR BATTERY

IP20	CODE	MAX LED	Vin	DIMENSIONS (mm)	CUT-OUT	CERTIFICATIONS
	CC28-F-700-NB	1 - 3 LED 2W	12 Vdc			
		1 - 6 LED 2W 1 LED 9W 1 LED 13W	24 Vdc			
		1 - 12 LED 2W 1 - 3 LED 9W 1 - 2 LED 13W 1 LED 25W	48 Vdc			

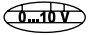
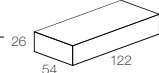


# Alimentatori 700mA IP67

## 700mA LED driver IP67



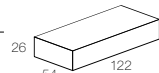




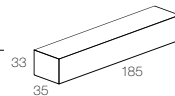

### ■ NON DIMMERABILI NOT DIMMABLE

IP67	CODE	MIN - MAX LED	Vin	DIMENSIONS (mm)	CUT-OUT	CERTIFICATIONS
	CC14-F-700-PI	1 LED 9W	@230Vac		 Ø 44	
	CC20-F-700-PI	1 - 2 LED 9W	@230Vac		 Ø 44	


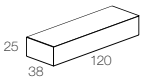

### ■ DIMMERABILI - MULTIFUNZIONE - PUSH - 1-10 DIMMABLE - MULTIFUNCTION - PUSH - 1-10

IP67	CODE	MIN - MAX LED	Vin	DIMENSIONS (mm)	CUT-OUT	CERTIFICATIONS
	CC20-M-700-P	1 - 2 LED 9W	@230Vac		 Ø 60	 EAC
		1 LED 9W	@110Vac			

### ■ DIMMERABILI - DALI DIMMABLE - DALI

IP67	CODE	MIN - MAX LED	Vin	DIMENSIONS (mm)	CUT-OUT	CERTIFICATIONS
	CC30-D-700-P	1 - 3 LED 9W	@230Vac		 Ø 60	 EAC 
		1 LED 9W	@110Vac			
	CC55-D-700-PI	1 - 4 LED 9W	@230Vac		 Ø 48	
		1 - 2 LED 9W	@110Vac			

### ■ DIMMERABILI - TAGLIO DI FASE (IGBT - TRIAC) DIMMABLE - PHASE CUT (IGBT - TRIAC)

IP67	CODE	MIN - MAX LED	Vin	DIMENSIONS (mm)	CUT-OUT	CERTIFICATIONS
	CC25-C-700-PI	2 LED 9W	@230Vac		 Ø 44	

POTENZIOMETRO  
POTENTIOMETER

CODE  
POT-M-REG-N



# Alimentatori 900mA IP20

## 900mA LED driver IP20

### ■ NON DIMMERABILI NOT DIMMABLE

IP20	CODE	MIN - MAX LED	Vin	DIMENSIONS (mm)	CUT-OUT	CERTIFICATIONS
	CC20-F-900-N	1 - 6 LED 3W	@230Vac	22 52 118	Ø 55	EAC
		1 - 5 LED 3W	@110Vac			
	CC25-F-900-NT	6 - 8 LED 3W	@230Vac	30 43 157	Ø 53	EAC
	CC50-F-900-N	7 - 15 LED 3W 1 LED 35W	@230Vac	22 79 124	Ø 84	EAC SELV 120V
		7 - 13 LED 3W 1 LED 35W	@110Vac			
	CC55-F-900-N	7 - 12 LED 3W 1 LED 35W	@230Vac	30 76 129	Ø 90	EAC
		7 - 12 LED 3W 1 LED 35W	@110Vac			

### ■ DIMMERABILI - MULTIFUNZIONE - PUSH - 1-10 DIMMABLE - MULTIFUNCTION - PUSH - 1-10

IP20	CODE	MIN - MAX LED	Vin	DIMENSIONS (mm)	CUT-OUT	CERTIFICATIONS
0...10V PUSH AM PWM DIMMER	CC20-M-900-N	1 - 6 LED 3W	@230Vac	22 52 118	Ø 55	EAC
		1 - 5 LED 3W	@110Vac			
0...10V	CC30-M-900-NL	1 - 10 LED 3W	@230Vac	34 40 210	Ø 54	EAC
		1 - 10 LED 3W	@110Vac			
0...10V PUSH AM PWM DIMMER	CC32-M-900-N	1 - 6 LED 3W	@230Vac	21 67 103	Ø 72	EAC
		1 - 5 LED 3W	@110Vac			
0...10V	CC40-M-900-NR	4 - 12 LED 3W 1 LED 35W	@230Vac	24 60 126	Ø 64	UL LISTED CLASS P
		4 - 12 LED 3W 1 LED 35W	@110Vac			
0...10V PUSH AM PWM DIMMER	CC50-M-900-N	7 - 18 LED 3W 1 LED 35W	@230Vac	22 79 124	Ø 84	EAC SELV 120V
		7 - 13 LED 3W 1 LED 35W	@110Vac			
0...10V	CC50-M-900-NL	7 - 15 LED 3W 1 LED 35W	@230Vac	31 77 153	Ø 84	EAC
		7 - 13 LED 3W 1 LED 35W	@110Vac			

POTENZIOMETRO  
POTENTIOMETER

CODE  
POT-M-REG-N



\*Disponibile su richiesta  
Available upon request

## DIMMERABILI - DALI

### DIMMABLE - DALI

IP20	CODE	MIN - MAX LED	Vin	DIMENSIONS (mm)	CUT-OUT	CERTIFICATIONS
	CC20-D-900-NT	6 - 8 LED 3W	@230Vac		Ø 53	
	CC25-D-900-NI	6 - 8 LED 3W	@230Vac		Ø 44	
	CC30-D-900-NL	1 - 15 LED 3W 1 - 15 LED 3W	@230Vac @110Vac		Ø 54	
  	CC38-D-900-N	3 - 12 LED 3W 1 LED 35W 3 - 12 LED 3W 1 LED 35W	@230Vac @110Vac		Ø 54	
   	CC50-D-900-N	7 - 18 LED 3W 1 LED 35W 7 - 13 LED 3W 1 LED 35W	@230Vac @110Vac		Ø 84	
	CC50-D-900-NL	1 - 15 LED 3W 1 LED 35W 1 - 15 LED 3W 1 LED 35W	@230Vac @110Vac		Ø 84	

## DIMMERABILI - TAGLIO DI FASE (IGBT - TRIAC)

### DIMMABLE - PHASE CUT (IGBT - TRIAC)

IP20	CODE	MIN - MAX LED	Vin	DIMENSIONS (mm)	CUT-OUT	CERTIFICATIONS
 	CC20-C-900-N	2 - 6 LED 3W	@230Vac		Ø 55	

## DIMMERABILI - CASAMBI INTEGRATO

### DIMMABLE - CASAMBI INTEGRATED

IP20	CODE	MIN - MAX LED	Vin	DIMENSIONS (mm)	CUT-OUT	CERTIFICATIONS
  	CC38-B-900-N	3 - 12 LED 3W	@230Vac		Ø 54	
  	CC60-B-900-N	7 - 18 LED 3W 1 LED 35W 7 - 13 LED 3W 1 LED 35W	@230Vac @110Vac		Ø 84	

POTENZIOMETRO  
POTENTIOMETER

CODE  
POT-M-REG-N




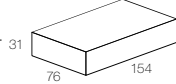



\*Disponibile su richiesta  
Available upon request

## Alimentatori 900mA IP20

### 900mA LED driver IP20

#### DIMMERABILI - DMX

##### DIMMABLE - DMX


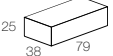

IP20	CODE	MIN - MAX LED	Vin	DIMENSIONS (mm)	CUT-OUT	CERTIFICATIONS
	CC50-X-900-NL	1 - 15 LED 3W 1 LED 35W	@230Vac		 Ø 84	 
		1 - 15 LED 3W 1 LED 35W	@110Vac			

## Alimentatori 900mA IP67

### 900mA LED driver IP67



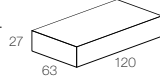



#### NON DIMMERABILI

##### NOT DIMMABLE

IP67	CODE	MIN - MAX LED	Vin	DIMENSIONS (mm)	CUT-OUT	CERTIFICATIONS
	CC14-F-900-PI	1 - 4 LED 3W	@230Vac		 Ø 44	


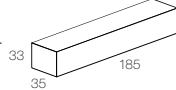

#### DIMMERABILI - MULTIFUNZIONE - PUSH - 1-10

##### DIMMABLE - MULTIFUNCTION - PUSH - 1-10

IP67	CODE	MIN - MAX LED	Vin	DIMENSIONS (mm)	CUT-OUT	CERTIFICATIONS
 	CC20-M-900-P	1 - 6 LED 3W	@230Vac		 Ø 70	 
		1 - 5 LED 3W	@110Vac			

#### DIMMERABILI - DALI

##### DIMMABLE - DALI

IP67	CODE	MIN - MAX LED	Vin	DIMENSIONS (mm)	CUT-OUT	CERTIFICATIONS
	CC55-D-900-PI	1 - 15 LED 3W	@230Vac		 Ø 48	
		1 - 8 LED 3W	@110Vac			

POTENZIOMETRO  
POTENTIOMETER

CODE  
POT-M-REG-N

