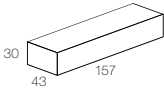
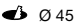

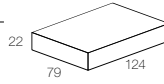
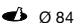



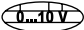
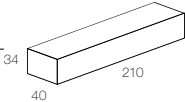
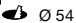

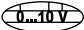


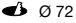

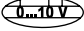
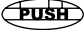
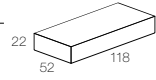
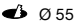

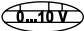

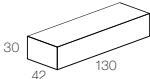
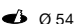

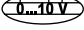

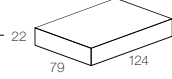
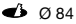

# Alimentatori 600mA IP20

## 600mA LED driver IP20

### NON DIMMERABILI NOT DIMMABLE

IP20	CODE	MIN - MAX LED	Vin	DIMENSIONS (mm)	CUT-OUT	CERTIFICATIONS
	CC25-F-600-NT	1 LED 21W	@230Vac			
	CC50-F-600-N	1 - 2 LED 21W	@230Vac			
		1 LED 21W settaggio 650mA	@110Vac			

### DIMMERABILI - MULTIFUNZIONE - PUSH - 1-10 DIMMABLE - MULTIFUNCTION - PUSH - 1-10

IP20	CODE	MIN - MAX LED	Vin	DIMENSIONS (mm)	CUT-OUT	CERTIFICATIONS
	CC30-M-600-NL	1 LED 21W	@230Vac			
		1 LED 21W	@110Vac			
 	CC32-M-600-N	1 LED 21W	@230Vac			
 	CC20-A-600-N	1 LED 20W DimToWarm	@230Vac			
		1 LED 20W DimToWarm	@110Vac			
 	CC36-A-600-N	1 LED 20W DimToWarm	@230Vac			
		1 LED 21W				
 	CC50-A-600-N	1 - 2 LED 20W DimToWarm	@230Vac			
		1 LED 21W				
		1 LED 20W DimToWarm	@110Vac			
		1 LED 21W				

POTENZIOMETRO  
POTENTIOMETER

CODE  
POT-M-REG-N




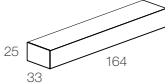

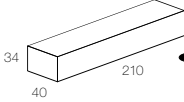















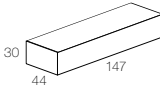






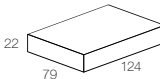







\*Disponibile su richiesta  
Available upon request

## Alimentatori 600mA IP20

### 600mA LED driver IP20



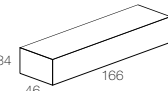





#### DIMMERABILI - DALI

##### DIMMABLE - DALI

IP20	CODE	MIN - MAX LED	Vin	DIMENSIONS (mm)	CUT-OUT	CERTIFICATIONS
	CC25-D-600-NI	1 LED 21W	@230Vac		 Ø 44	
	CC30-D-600-NL	1 LED 21W	@230Vac		 Ø 54	   
		1 LED 21W	@110Vac			
 	CC32-D-600-N	1 LED 21W	@230Vac		 Ø 72	 
  	CC38-D-600-N	1 LED 20W DimToWarm	@230Vac		 Ø 54	   
		1 LED 21W				
	CC50-D-600-N	1 - 2 LED 21W	@230Vac		 Ø 84	     
		1 LED 21W (MaxiJolly HV Dali60)	@110Vac			




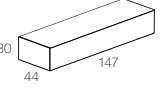






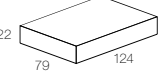





#### DIMMERABILI - TAGLIO DI FASE (IGBT - TRIAC)

##### DIMMABLE - PHASE CUT (IGBT - TRIAC)

IP20	CODE	MIN - MAX LED	Vin	DIMENSIONS (mm)	CUT-OUT	CERTIFICATIONS
 	CC32-C-600-N	1 LED 21W (settaggio 550mA)	@230Vac		 Ø 56	   


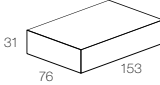



#### DIMMERABILI - CASAMBI INTEGRATO

##### DIMMABLE - CASAMBI INTEGRATED

IP20	CODE	MIN - MAX LED	Vin	DIMENSIONS (mm)	CUT-OUT	CERTIFICATIONS
  	CC38-B-600-N	1 LED 20W DimToWarm	@230Vac		 Ø 54	 
		1 LED 21W				
  	CC60-B-600-N	1 - 2 LED 21W	@230Vac		 Ø 84	   

#### DIMMERABILI - DMX

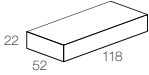


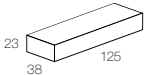

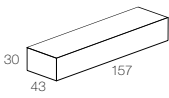





##### DIMMABLE - DMX

IP20	CODE	MIN - MAX LED	Vin	DIMENSIONS (mm)	CUT-OUT	CERTIFICATIONS
	CC50-X-600-NL	1 - 2 LED 21W	@230Vac		 Ø 84	 
		1 - 2 LED 21W	@110Vac			

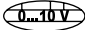


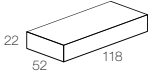


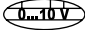
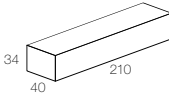


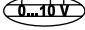


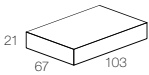


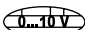
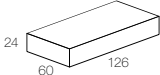





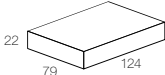


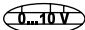



# Alimentatori 700mA IP20

## 700mA LED driver IP20

### NON DIMMERABILI NOT DIMMABLE

IP20	CODE	MIN - MAX LED	Vin	DIMENSIONS (mm)	CUT-OUT	CERTIFICATIONS
	CC20-F-700-N	1 - 9 LED 2W 1 - 2 LED 9W 1 LED 13W	@230Vac		 Ø 55	
	CC20-F-700-NI	1 LED 13W	@230Vac		 Ø 42	
	CC25-F-700-NT	7 - 11 LED 2W 2 LED 9W 1 LED 13W 1 LED 25W	@230Vac		 Ø 45	
	CC50-F-700-N	10 - 22 LED 2W 1 - 5 LED 9W 1 - 3 LED 13W 1 - 2 LED 25W	@230Vac		 Ø 84	
		10 - 12 LED 2W 1 - 3 LED 9W 1 - 3 LED 13W 1 LED 25W	@110Vac			

### DIMMERABILI - MULTIFUNZIONE - PUSH - 1-10 DIMMABLE - MULTIFUNCTION - PUSH - 1-10



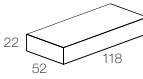








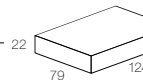







IP20	CODE	MIN - MAX LED	Vin	DIMENSIONS (mm)	CUT-OUT	CERTIFICATIONS
  	CC20-M-700-N	1 - 9 LED 2W 1 - 2 LED 9W 1 LED 13W	@230Vac		 Ø 55	
		1 - 4 LED 2W 1 LED 9W 1 LED 13W	@110Vac			
	CC30-M-700-NL	1 - 12 LED 2W 1 - 3 LED 9W 1 - 2 LED 13W 1 LED 25W	@230Vac		 Ø 54	
		1 - 12 LED 2W 1 - 3 LED 9W 1 - 2 LED 13W 1 LED 25W	@110Vac			
  	CC32-M-700-N	1 - 14 LED 2W 1 - 3 LED 9W 1 - 2 LED 13W 1 LED 25W	@230Vac		 Ø 72	
		1 - 7 LED 2W 1 LED 9W 1 LED 13W	@110Vac			
	CC40-M-700-NR	4 - 17 LED 2W 1 - 4 LED 9W 1 - 3 LED 13W 1 LED 25W	@230Vac		 Ø 64	
		4 - 17 LED 2W 1 - 4 LED 9W 1 - 3 LED 13W 1 LED 25W	@110Vac			
  	CC50-M-700-N	10 - 22 LED 2W 1 - 5 LED 9W 1 - 3 LED 13W 1 - 2 LED 25W	@230Vac		 Ø 84	
		10 - 12 LED 2W 1 - 3 LED 9W 1 - 3 LED 13W 1 LED 25W	@110Vac			
	CC50-M-700-NL	1 - 17 LED 2W 1 - 4 LED 9W 1 - 3 LED 13W 1 LED 25W	@230Vac		 Ø 84	
		1 - 17 LED 2W 1 - 4 LED 9W 1 - 3 LED 13W 1 LED 25W	@110Vac			

POTENZIOMETRO  
POTENTIOMETER




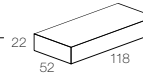






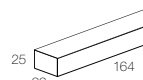


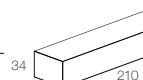


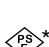




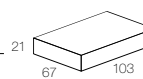





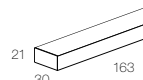





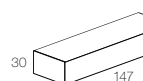
















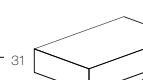


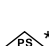



CODE  
POT-M-REG-N



**DIMMERABILI - MULTIFUNZIONE - PUSH - 1-10**  
 DIMMABLE - MULTIFUNCTION - PUSH - 1-10

	CODE	MIN - MAX LED	Vin	DIMENSIONS (mm)	CUT-OUT	CERTIFICATIONS
  <small>DIM-TO-WARM</small>	CC36-A-700-N	4 - 15 LED 2W 1 - 4 LED 9W 1 - 2 LED 13W 1 LED 25W	@230Vac	 22 52 118	 Ø 55	   EAC 
   <small>DIM-TO-WARM</small>	CC50-A-700-N	10 - 22 LED 2W 1 - 5 LED 9W 1 - 3 LED 13W 1 - 2 LED 25W  10 - 12 LED 2W 1 - 3 LED 9W 1 - 3 LED 13W 1 LED 25W	@230Vac     @110Vac	 22 79 124	 Ø 84	     EAC  

**DIMMERABILI - DALI**  
 DIMMABLE - DALI




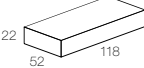


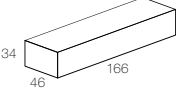

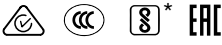
	CODE	MIN - MAX LED	Vin	DIMENSIONS (mm)	CUT-OUT	CERTIFICATIONS
   <small>DIM-TO-WARM</small>	CC20-D-700-N	1 - 9 LED 2W 1 - 2 LED 9W 1 LED 13W  1 - 4 LED 2W 1 LED 9W 1 LED 13W	@230Vac   @110Vac	 22 52 118	 Ø 55	    * EAC
	CC25-D-700-NI	1 - 12 LED 2W 1 - 4 LED 9W 1 LED 13W	@230Vac	 25 33 164	 Ø 44	
	CC30-D-700-NL	1 - 12 LED 2W 1 - 3 LED 9W 1 - 2 LED 13W 1 LED 25W  1 - 12 LED 2W 1 - 3 LED 9W 1 - 2 LED 13W 1 LED 25W	@230Vac  @110Vac	 34 40 210	 Ø 54	  *  
  <small>DIM-TO-WARM</small>	CC32-D-700-N	1 - 14 LED 2W 1 - 3 LED 9W 1 - 2 LED 13W 1 LED 25W  1 - 7 LED 2W 1 LED 9W 1 LED 13W	@230Vac  @110Vac	 21 67 103	 Ø 72	 
  <small>DIM-TO-WARM</small>	CC36-D-700-SP	1 - 2 LED 13W	@230Vac	 21 30 163	 Ø 37	
   <small>DIM-TO-WARM</small>	CC38-D-700-N	4 - 16 LED 2W 1 - 4 LED 9W 1 - 2 LED 13W 1 LED 25W	@230Vac	 30 44 147	 Ø 54	  * EAC 
    <small>DIM-TO-WARM</small>	CC50-D-700-N	10 - 22 LED 2W 1 - 5 LED 9W 1 - 3 LED 13W 1 - 2 LED 25W  10 - 12 LED 2W 1 - 3 LED 9W 1 - 3 LED 13W 1 LED 25W	@230Vac  @110Vac	 22 79 124	 Ø 84	  *   * EAC 
	CC50-D-700-NL	1 - 17 LED 2W 1 - 4 LED 9W 1 - 3 LED 13W 1 LED 25W  1 - 17 LED 2W 1 - 4 LED 9W 1 - 3 LED 13W 1 LED 25W	@230Vac  @110Vac	 31 77 153	 Ø 84	  *   * 

## Alimentatori 700mA IP20

### 700mA LED driver IP20





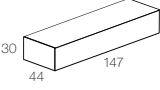


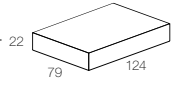





#### DIMMERABILI - TAGLIO DI FASE (IGBT - TRIAC)

##### DIMMABLE - PHASE CUT (IGBT - TRIAC)

IP20	CODE	MIN - MAX LED	Vin	DIMENSIONS (mm)	CUT-OUT	CERTIFICATIONS
   <small>DM-T0-HEARM</small>	CC20-C-700-N	2 - 9 LED 2W 1 - 2 LED 9W 1 LED 13W	@230Vac			
	CC32-C-700-N	1 - 14 LED 2W 1 - 3 LED 9W 1 - 2 LED 13W 1 LED 25W	@230Vac			


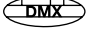
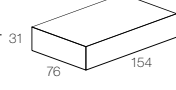


#### DIMMERABILI - CASAMBI INTEGRATO

##### DIMMABLE - CASAMBI INTEGRATED

IP20	CODE	MIN - MAX LED	Vin	DIMENSIONS (mm)	CUT-OUT	CERTIFICATIONS
    <small>DM-T0-HEARM</small>	CC38-B-700-N	4 - 15 LED 2W 1 - 4 LED 9W 1 - 2 LED 13W 1 LED 25W	@230Vac			
	CC60-B-700-N	10 - 22 LED 2W 1 - 5 LED 9W 1 - 3 LED 13W 1 - 2 LED 25W	@230Vac			
   <small>DM-T0-HEARM</small>		10 - 12 LED 2W 1 - 3 LED 9W 1 - 3 LED 13W 1 LED 25W	@110Vac			


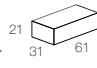


#### DIMMERABILI - DMX

##### DIMMABLE - DMX

IP20	CODE	MIN - MAX LED	Vin	DIMENSIONS (mm)	CUT-OUT	CERTIFICATIONS
 	CC50-X-700-NL	1 - 17 LED 2W 1 - 4 LED 9W 1 - 3 LED 13W 1 LED 25W	@230Vac			
		1 - 17 LED 2W 1 - 4 LED 9W 1 - 3 LED 13W 1 LED 25W	@110Vac			

#### NON DIMMERABILI - FISSI - PER BATTERIA

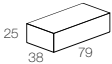

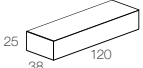

##### NOT DIMMABLE - FIXED - FOR BATTERY

IP20	CODE	MAX LED	Vin	DIMENSIONS (mm)	CUT-OUT	CERTIFICATIONS
	CC28-F-700-NB	1 - 3 LED 2W	12 Vdc			
		1 - 6 LED 2W 1 LED 9W 1 LED 13W	24 Vdc			
		1 - 12 LED 2W 1 - 3 LED 9W 1 - 2 LED 13W 1 LED 25W	48 Vdc			

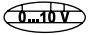
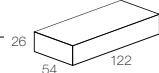


# Alimentatori 700mA IP67

## 700mA LED driver IP67



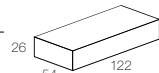




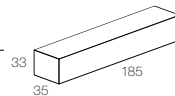

### ■ NON DIMMERABILI NOT DIMMABLE

IP67	CODE	MIN - MAX LED	Vin	DIMENSIONS (mm)	CUT-OUT	CERTIFICATIONS
	CC14-F-700-PI	1 LED 9W	@230Vac		 Ø 44	
	CC20-F-700-PI	1 - 2 LED 9W	@230Vac		 Ø 44	


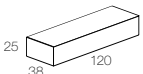

### ■ DIMMERABILI - MULTIFUNZIONE - PUSH - 1-10 DIMMABLE - MULTIFUNCTION - PUSH - 1-10

IP67	CODE	MIN - MAX LED	Vin	DIMENSIONS (mm)	CUT-OUT	CERTIFICATIONS
	CC20-M-700-P	1 - 2 LED 9W	@230Vac		 Ø 60	 EAC
		1 LED 9W	@110Vac			

### ■ DIMMERABILI - DALI DIMMABLE - DALI

IP67	CODE	MIN - MAX LED	Vin	DIMENSIONS (mm)	CUT-OUT	CERTIFICATIONS
 	CC30-D-700-P	1 - 3 LED 9W	@230Vac		 Ø 60	 EAC 
			1 LED 9W			
	CC55-D-700-PI	1 - 4 LED 9W	@230Vac		 Ø 48	
		1 - 2 LED 9W	@110Vac			

### ■ DIMMERABILI - TAGLIO DI FASE (IGBT - TRIAC) DIMMABLE - PHASE CUT (IGBT - TRIAC)

IP67	CODE	MIN - MAX LED	Vin	DIMENSIONS (mm)	CUT-OUT	CERTIFICATIONS
	CC25-C-700-PI	2 LED 9W	@230Vac		 Ø 44	

POTENZIOMETRO  
POTENTIOMETER

CODE  
POT-M-REG-N

