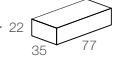



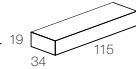





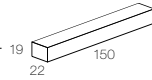




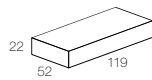




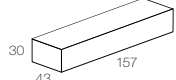




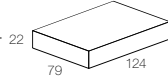




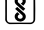



# Alimentatori 350mA IP20

## 350mA LED driver IP20

### ■ NON DIMMERABILI NOT DIMMABLE

| IP20 | CODE          | MIN - MAX LED   | Vin     | DIMENSIONS (mm)   | CUT-OUT   | CERTIFICATIONS  |
|------|---------------|---|---------|---|---|---|
| IP20 | CC6-F-350-N   | 1 - 6 LED 1W<br>1 LED 4W<br>1 LED ZOOM                            | @230Vac |    |  Ø 42   |   * EAC   |
|      |               | 1 - 6 LED 1W<br>1 LED 4W<br>1 LED ZOOM                            | @110Vac |   |   |   |
| IP20 | CC14-F-350N   | 1 - 13 LED 1W<br>1 - 4 LED 4W<br>1 - 3 LED ZOOM<br>1 LED 12W      | @230Vac |    |  Ø 40   |     *   |
|      |               | 1 - 9 LED 1W<br>1 - 2 LED 4W<br>1 - 2 LED ZOOM                    | @110Vac |   |   |   |
| IP20 | CC15-F-350-S  | 1 - 13 LED 1W<br>1 - 3 LED 4W<br>1 - 3 LED ZOOM<br>1 LED 12W      | @230Vac |    |  Ø 32   |    * EAC   |
|      |               | 1 - 5 LED 1W<br>1 LED 4W<br>1 LED ZOOM                            | @110Vac |   |   |   |
| IP20 | CC20-F-350-N  | 1 - 16 LED 1W<br>1 - 5 LED 4W<br>1 - 4 LED ZOOM<br>1 LED 12W      | @230Vac |    |  Ø 55   |    * EAC   |
|      |               |   |         |   |   |   |
| IP20 | CC25-F-350-NT | 7 - 16 LED 1W<br>3 - 5 LED 4W<br>2 - 4 LED ZOOM<br>1 LED 12W      | @230Vac |   |  Ø 53 |   EAC   |
|      |               |   |         |   |   |   |
| IP20 | CC50-F-350-N  | 10 - 23 LED 1W<br>1 - 8 LED 4W<br>1 - 6 LED ZOOM<br>1 - 2 LED 12W | @230Vac |  |  Ø 84 |     * EAC  |
|      |               | 10 - 23 LED 1W<br>1 - 8 LED 4W<br>1 - 6 LED ZOOM<br>1 - 2 LED 12W | @110Vac |   |   |   |

## DIMMERABILI - MULTIFUNZIONE - PUSH - 1-10

DIMMABLE - MULTIFUNCTION - PUSH - 1-10

| IP20 | CODE          | MIN - MAX LED  | Vin     | DIMENSIONS (mm) | CUT-OUT | CERTIFICATIONS |
|------|---------------|--|---------|-----------------|---------|----------------|
|      | CC20-M-350-N  | 1 - 14 LED 1W<br>1 - 4 LED 4W<br>1 - 3 LED ZOOM<br>1 LED 12W                     | @230Vac | <br>22 52 119   | Ø 55    |                |
|      |               | 1 - 14 LED 1W<br>1 - 4 LED 4W<br>1 - 3 LED ZOOM<br>1 LED 12W                     | @110Vac |                 |         |                |
|      | CC30-M-350-NL | 1 - 18 LED 1W<br>1 - 6 LED 4W<br>1 - 4 LED ZOOM<br>1 LED 12W                     | @230Vac | <br>34 40 210   | Ø 54    |                |
|      |               | 1 - 18 LED 1W<br>1 - 6 LED 4W<br>1 - 4 LED ZOOM<br>1 LED 12W                     | @110Vac |                 |         |                |
|      | CC32-M-350-N  | 4 - 17 LED 1W<br>2 - 5 LED 4W<br>1 - 4 LED ZOOM<br>1 LED 12W                     | @230Vac | <br>21 67 103   | Ø 72    |                |
|      |               | 4 - 14 LED 1W<br>2 - 3 LED 4W<br>1 - 3 LED ZOOM<br>1 LED 12W                     | @110Vac |                 |         |                |
|      | CC40-M-350-NR | 4 - 18 LED 1W<br>2 - 6 LED 4W<br>1 - 4 LED ZOOM<br>1 LED 12W                     | @230Vac | <br>24 60 126   | Ø 64    |                |
|      |               | 4 - 18 LED 1W<br>2 - 6 LED 4W<br>1 - 4 LED ZOOM<br>1 LED 12W                     | @110Vac |                 |         |                |
|      | CC50-M-350-N  | 10 - 23 LED 1W<br>1 - 8 LED 4W<br>1 - 6 LED ZOOM<br>1 - 2 LED 12W                | @230Vac | <br>22 79 124   | Ø 84    |                |
|      |               | 10 - 23 LED 1W<br>1 - 8 LED 4W<br>1 - 6 LED ZOOM<br>1 - 2 LED 12W                | @110Vac |                 |         |                |
|      | CC20-A-350-N  | 5 - 16 LED 1W<br>2 - 4 LED 4W<br>2 - 4 LED ZOOM<br>1 LED 12W<br>(DimToWarm)      | @230Vac | <br>22 52 119   | Ø 72    |                |
|      |               | 5 - 15 LED 1W<br>2 - 3 LED 4W<br>2 - 3 LED ZOOM<br>1 LED 12W<br>(DimToWarm)      | @110Vac |                 |         |                |
|      | CC50-A-350-N  | 10 - 23 LED 1W<br>1 - 8 LED 4W<br>1 - 6 LED ZOOM<br>1 - 2 LED 12W<br>(DimToWarm) | @230Vac | <br>22 79 124   | Ø 84    |                |
|      |               | 10 - 23 LED 1W<br>1 - 8 LED 4W<br>1 - 6 LED ZOOM<br>1 - 2 LED 12W<br>(DimToWarm) | @110Vac |                 |         |                |

POTENZIOMETRO  
POTENTIOMETER

CODE  
POT-M-REG-N





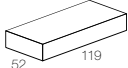






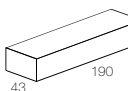







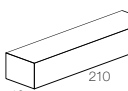







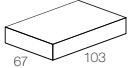








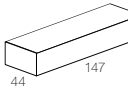






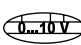


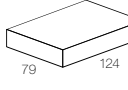







\*Disponibile su richiesta  
Available upon request

## Alimentatori 350mA IP20

### 350mA LED driver IP20



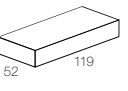







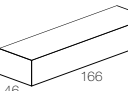





#### DIMMERABILI - DALI

##### DIMMABLE - DALI

| IP20  | CODE          | MIN - MAX LED   | Vin     | DIMENSIONS (mm)  | CUT-OUT   | CERTIFICATIONS  |
|---|---------------|---|---------|--|---|---|
| <br>  | CC20-D-350-N  | 4 - 14 LED 1W<br>1 - 4 LED 4W<br>1 - 3 LED ZOOM<br>1 LED 12W      | @230Vac | <br>22 52 119   |  Ø 55   |       |
|   |               | 4 - 14 LED 1W<br>1 - 4 LED 4W<br>1 - 3 LED ZOOM<br>1 LED 12W      | @110Vac |  |   |   |
|    | CC20-D-350-NT | 7 - 16 LED 1W<br>3 - 5 LED 4W<br>2 - 4 LED ZOOM<br>1 LED 12W      | @230Vac | <br>30 43 190   |  Ø 62   |        |
|    | CC30-D-350-NL | 1 - 18 LED 1W<br>1 - 6 LED 4W<br>1 - 4 LED ZOOM<br>1 LED 12W      | @230Vac | <br>34 40 210   |  Ø 54   |       |
|   |               | 1 - 18 LED 1W<br>1 - 6 LED 4W<br>1 - 4 LED ZOOM<br>1 LED 12W      | @110Vac |  |   |   |
|    | CC32-D-350-N  | 2 - 16 LED 1W<br>1 - 4 LED 4W<br>1 - 4 LED ZOOM<br>1 LED 12W      | @230Vac | <br>21 67 103  |  Ø 72   |       |
|   |               | 2 - 14 LED 1W<br>1 - 3 LED 4W<br>1 - 3 LED ZOOM<br>1 LED 12W      | @110Vac |  |   |   |
|      | CC38-D-350-N  | 4 - 18 LED 1W<br>2 - 5 LED 4W<br>1 - 4 LED ZOOM<br>1 LED 12W      | @230Vac | <br>30 44 147 |  Ø 54 |       |
|   |               |   |         |  |   |   |
|     | CC50-D-350-N  | 10 - 23 LED 1W<br>1 - 8 LED 4W<br>1 - 6 LED ZOOM<br>1 - 2 LED 12W | @230Vac | <br>22 79 124 |  Ø 84 |       |
|   |               | 10 - 23 LED 1W<br>1 - 8 LED 4W<br>1 - 6 LED ZOOM<br>1 - 2 LED 12W | @110Vac |  |   |   |

#### DIMMERABILI - TAGLIO DI FASE (IGBT - TRIAC)

##### DIMMABLE - PHASE CUT (IGBT - TRIAC)

| IP20  | CODE         | MIN - MAX LED  | Vin     | DIMENSIONS (mm)  | CUT-OUT   | CERTIFICATIONS  |
|---|--------------|--|---------|--|---|---|
|   | CC18-C-350-N | 9 - 17 LED 1W<br>3 - 5 LED 4W<br>2 - 4 LED ZOOM<br>1 LED 12W | @230Vac | <br>22 52 119 |  Ø 55 |     |
|   |              |  |         |  |   |   |
|   | CC32-C-350-N | 1 - 15 LED 1W<br>1 - 5 LED 4W<br>1 - 3 LED ZOOM<br>1 LED 12W | @230Vac | <br>34 46 166 |  Ø 56 |     |

POTENZIOMETRO  
POTENTIOMETER




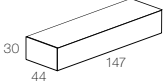



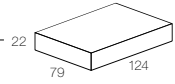







CODE  
POT-M-REG-N



\*Disponibile su richiesta  
Available upon request

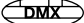

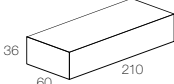


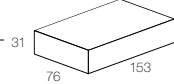




## DIMMERABILI - CASAMBI INTEGRATO

DIMMABLE - CASAMBI INTEGRATED

| IP20  | CODE         | MIN - MAX LED   | Vin     | DIMENSIONS (mm)  | CUT-OUT  | CERTIFICATIONS  |
|---|--------------|---|---------|--|--|---|
|    | CC38-B-350-N | 4 - 18 LED 1W<br>2 - 5 LED 4W<br>1 - 4 LED ZOOM<br>1 LED 12W      | @230Vac | <br>30<br>44<br>147 |  Ø 54 |    |
|   | CC60-B-350-N | 10 - 23 LED 1W<br>1 - 8 LED 4W<br>1 - 6 LED ZOOM<br>1 - 2 LED 12W | @230Vac | <br>22<br>79<br>124 |  Ø 84 |     |
|    |              | 10 - 23 LED 1W<br>1 - 8 LED 4W<br>1 - 6 LED ZOOM<br>1 - 2 LED 12W | @110Vac |  |  |   |


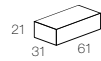



## DIMMERABILI - DMX

DIMMABLE - DMX

| IP20   | CODE          | MIN - MAX LED   | Vin     | DIMENSIONS (mm)  | CUT-OUT  | CERTIFICATIONS  |
|--|---------------|---|---------|--|--|---|
|   | CC36-X-350-N  | 1 - 30 LED 1W<br>1 - 9 LED 4W<br>1 - 9 LED ZOOM<br>1 - 3 LED 12W<br>1 - 10 LED 3x1W RGB   | @230Vac | <br>36<br>60<br>210  |  Ø 70   |    |
|  | CC50-X-350-NL | 1 - 40 LED 1W<br>1 - 12 LED 4W<br>1 - 12 LED ZOOM<br>1 - 4 LED 12W<br>1 - 16 LED 3x1W RGB | @230Vac | <br>31<br>76<br>153 |  Ø 84 |   |
|   |               | 1 - 40 LED 1W<br>1 - 4 LED 4W<br>1 - 4 LED ZOOM<br>1 LED 12W<br>1 - 16 LED 3x1W RGB       | @110Vac |  |  |   |

## NON DIMMERABILI - FISSI - PER BATTERIA

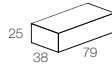

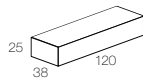

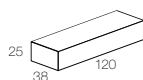

NOT DIMMABLE - FIXED - FOR BATTERY

| IP20  | CODE          | MAX LED   | Vin    | DIMENSIONS (mm)   | CUT-OUT  | CERTIFICATIONS  |
|---|---------------|---|--------|---|--|---|
|  | CC10-F-350-NB | 1 - 3 LED 1W<br>1 LED 4W<br>1 LED ZOOM          | 12 Vdc | <br>21<br>31<br>61 |  Ø 38 |   |
|   |               | 1 - 6 LED 1W<br>1 - 2 LED 4W<br>1 LED ZOOM      | 24 Vdc |   |  |   |
|   |               | 1 - 12 LED 1W<br>1 - 4 LED 4W<br>1 - 3 LED ZOOM | 48 Vdc |   |  |   |


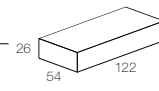


# Alimentatori 350mA IP67

## 350mA LED driver IP67



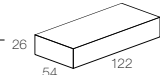




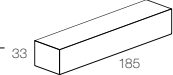

### ■ NON DIMMERABILI NOT DIMMABLE

| IP67 | CODE          | MIN - MAX LED                               | Vin     | DIMENSIONS (mm)   | CUT-OUT   | CERTIFICATIONS |
|------|---------------|---|---------|---|---|----------------|
|      | CC14-F-350-PI | 1 - 13 LED 1W<br>1 - 4 LED 4W<br>1 LED 12W  | @230Vac |  |  Ø 44 |                |
|      | CC15-F-350-PI | 1 - 14 LED 1W<br>1 - 4 LED 4W<br>1 LED 12W  | @230Vac |  |  Ø 44 |                |
|      | CC20-F-350-PI | 10 - 18 LED 1W<br>3 - 5 LED 4W<br>1 LED 12W | @230Vac |  |  Ø 44 |                |


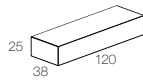


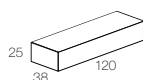

### ■ DIMMERABILI - MULTIFUNZIONE - PUSH - 1-10 DIMMABLE - MULTIFUNCTION - PUSH - 1-10

| IP67  | CODE         | MIN - MAX LED                              | Vin     | DIMENSIONS (mm)   | CUT-OUT   | CERTIFICATIONS  |
|---|--------------|--|---------|---|---|---|
|  | CC16-M-350-P | 1 - 15 LED 1W<br>1 - 4 LED 4W<br>1 LED 12W | @230Vac |  |  Ø 60 |  |
|   |              | 1 - 14 LED 1W<br>1 - 3 LED 4W<br>1 LED 12W | @110Vac |   |   |   |

### ■ DIMMERABILI - DALI DIMMABLE - DALI

| IP67   | CODE          | MIN - MAX LED                              | Vin     | DIMENSIONS (mm)   | CUT-OUT   | CERTIFICATIONS   |
|--|---------------|--|---------|---|---|--|
| <br> | CC20-D-350-P  | 1 - 16 LED 1W<br>1 - 5 LED 4W<br>1 LED 12W | @230Vac |  |  Ø 60 | <br> |
|  |               | 1 - 12 LED 1W<br>1 - 4 LED 4W<br>1 LED 12W | @110Vac |   |   |  |
|   | CC55-D-350-PI | 1 - 18 LED 1W<br>1 - 5 LED 4W<br>1 LED 12W | @230Vac |  |  Ø 48 |  |
|  |               | 1 - 9 LED 1W<br>1 - 3 LED 4W               | @110Vac |   |   |  |

### ■ DIMMERABILI - TAGLIO DI FASE (IGBT - TRIAC) DIMMABLE - PHASE CUT (IGBT - TRIAC)

| IP67  | CODE          | MIN - MAX LED                                   | Vin     | DIMENSIONS (mm)   | CUT-OUT   | CERTIFICATIONS |
|---|---------------|---|---------|---|---|----------------|
|  | CC10-C-350-PI | 7 - 10 LED 1W                                   | @230Vac |  |  Ø 44 |                |
|  | CC25-C-350-PI | 15 - 23 LED 1W<br>5 - 7 LED 4W<br>1 - 2 LED 12W | @230Vac |  |  Ø 44 |                |

POTENZIOMETRO  
POTENTIOMETER

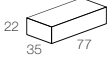


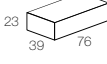

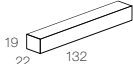

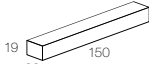




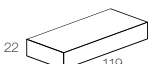











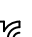
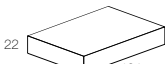






CODE  
POT-M-REG-N



# Alimentatori 500mA IP20

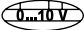


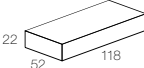






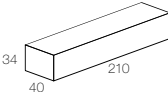




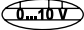







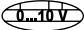











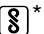

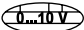


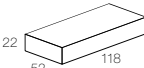




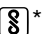

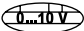

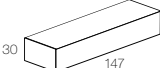



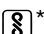




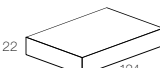








## 500mA LED driver IP20

### ■ NON DIMMERABILI NOT DIMMABLE

| IP20 | CODE          | MIN - MAX LED   | Vin     | DIMENSIONS (mm)   | CUT-OUT   | CERTIFICATIONS  |
|------|---------------|---|---------|---|---|---|
|      | CC6-F-500-N   | 1 - 3 LED 2W<br>1 LED 6W  | @230Vac |  22 35 77    |  Ø 42   |    |
|      |               | 1 - 3 LED 2W<br>1 LED 6W  | @110Vac |   |   |   |
|      | CC10-F-500-NI | 1 - 5 LED 2W<br>1 LED 6W<br>1 LED 9W                            | @230Vac |  23 39 76    |  Ø 44   |   |
|      |               | 1 - 3 LED 2W<br>1 LED 6W  | @110Vac |   |   |   |
|      | CC10-F-500-SI | 1 - 6 LED 2W<br>1 LED 9W  | @230Vac |  19 22 132   |  Ø 28   |   |
|      | CC14-F-500-S  | 1 - 7 LED 2W<br>1 - 2 LED 6W<br>1 LED 9W                        | @230Vac |  19 22 150   |  Ø 32   |      |
|      |               | 1 - 4 LED 2W<br>1 - 2 LED 6W                                    | @110Vac |   |   |   |
|      | CC20-F-500-N  | 1 - 10 LED 2W<br>1 - 3 LED 6W<br>1 - 2 LED 9W<br>1 LED 18W      | @230Vac |  22 52 119   |  Ø 55   |      |
|      | CC20-F-500-NI | 4 - 12 LED 2W<br>1 - 2 LED 9W<br>1 LED 18W                      | @230Vac |  23 38 125  |  Ø 42 |   |
|      | CC25-F-500-NT | 7 - 12 LED 2W<br>2 - 4 LED 6W<br>1 - 2 LED 9W<br>1 LED 18W      | @230Vac |  30 43 157 |  Ø 53 |       |
|      | CC50-F-500-N  | 10 - 22 LED 2W<br>1 - 5 LED 6W<br>1 - 3 LED 9W<br>1 - 2 LED 18W | @230Vac |  22 79 124 |  Ø 84 |      |
|      |               | 10 - 22 LED 2W<br>1 - 5 LED 6W<br>1 - 3 LED 9W<br>1 - 2 LED 18W | @110Vac |   |   |   |

## DIMMERABILI - MULTIFUNZIONE - PUSH - 1-10

DIMMABLE - MULTIFUNCTION - PUSH - 1-10

| IP20  | CODE          | MIN - MAX LED  | Vin  | DIMENSIONS (mm)  | CUT-OUT  | CERTIFICATIONS |
|---|---------------|--|--|--|--|----------------|
| <br><br>                                     | CC20-M-500-N  | @230Vac<br>1 - 10 LED 2W<br>1 - 3 LED 6W<br>1 - 2 LED 9W<br>1 LED 18W      | <br>22 52 118   |  Ø 55   | <br> *<br><br> *<br>EAC  |                |
|   |               | @110Vac<br>1 - 7 LED 2W<br>1 - 3 LED 6W<br>1 LED 9W<br>1 LED 18W           |  |  |  |                |
|    | CC30-M-500-NL | @230Vac<br>1 - 15 LED 2W<br>1 - 4 LED 6W<br>1 - 3 LED 9W<br>1 LED 18W      | <br>34 40 210   |  Ø 54   | <br><br>  |                |
|   |               | @110Vac<br>1 - 15 LED 2W<br>1 - 4 LED 6W<br>1 - 3 LED 9W<br>1 LED 18W      |  |  |  |                |
| <br><br>                                     | CC32-M-500-N  | @230Vac<br>1 - 14 LED 2W<br>1 - 4 LED 6W<br>1 - 2 LED 9W<br>1 LED 18W      | <br>21 67 103   |  Ø 72   | <br> *<br><br>EAC   |                |
|   |               | @110Vac<br>1 - 8 LED 2W<br>1 - 2 LED 6W<br>1 LED 9W                        |  |  |  |                |
|   | CC40-M-500-NR | @230Vac<br>4 - 18 LED 2W<br>1 - 4 LED 6W<br>1 - 3 LED 9W<br>1 LED 18W      | <br>24 60 126 |  Ø 64 | <br>CLASS P   |                |
|   |               | @110Vac<br>4 - 18 LED 2W<br>1 - 4 LED 6W<br>1 - 3 LED 9W<br>1 LED 18W      |  |  |  |                |
| <br><br>                               | CC50-M-500-N  | @230Vac<br>10 - 22 LED 2W<br>1 - 5 LED 6W<br>1 - 3 LED 9W<br>1 - 2 LED 18W | <br>22 79 124 |  Ø 84 | <br> *<br><br> *<br>EAC<br>   |                |
|   |               | @110Vac<br>10 - 12 LED 2W<br>1 - 5 LED 6W<br>1 - 3 LED 9W<br>1 - 2 LED 18W |  |  |  |                |
| <br><br><br><small>DIM-TO-WARM</small> | CC20-A-500-N  | @230Vac<br>2 - 10 LED 2W<br>1 - 3 LED 6W<br>1 - 2 LED 9W<br>1 LED 18W      | <br>22 52 118 |  Ø 72 | <br> *<br><br> *<br>EAC<br>   |                |
|   |               | @110Vac<br>2 - 10 LED 2W<br>1 - 2 LED 6W<br>1 LED 9W                       |  |  |  |                |
| <br><br><small>DIM-TO-WARM</small>  | CC36-A-500-N  | @230Vac<br>4 - 14 LED 2W<br>1 - 4 LED 6W<br>1 - 2 LED 9W<br>1 LED 18W      | <br>30 44 147 |  Ø 54 | <br><br> *<br>EAC<br>  |                |
|   |               |  |  |  |  |                |
| <br><br><br><small>DIM-TO-WARM</small> | CC50-A-500-N  | @230Vac<br>10 - 22 LED 2W<br>1 - 5 LED 6W<br>1 - 3 LED 9W<br>1 - 2 LED 18W | <br>22 79 124 |  Ø 84 | <br><br><br> *<br>EAC<br><br><br> |                |
|   |               | @110Vac<br>10 - 22 LED 2W<br>1 - 5 LED 6W<br>1 - 3 LED 9W<br>1 - 2 LED 18W |  |  |  |                |

POTENZIOMETRO  
POTENTIOMETER

CODE  
POT-M-REG-N




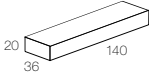


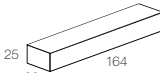



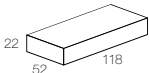






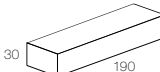






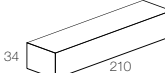







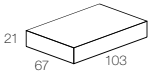






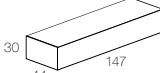















\*Disponibile su richiesta  
Available upon request

# Alimentatori 500mA IP20

## 500mA LED driver IP20

### DIMMERABILI - DALI

#### DIMMABLE - DALI

| IP20   | CODE          | MIN - MAX LED   | Vin     | DIMENSIONS (mm)   | CUT-OUT   | CERTIFICATIONS  |
|--|---------------|---|---------|---|---|---|
|   | CC10-D-500-NI | 1 - 6 LED 2W<br>1 LED 6W<br>1 LED 9W                            | @230Vac | <br>20 140<br>36   |  Ø 40   |   |
|   | CC25-D-500-NI | 1 - 15 LED 2W<br>1 - 4 LED 6W<br>1 - 2 LED 9W<br>1 LED 18W      | @230Vac | <br>25 164<br>33   |  Ø 44   |   |
| <br>   | CC20-D-500-N  | 2 - 10 LED 2W<br>1 - 3 LED 6W<br>1 - 2 LED 9W<br>1 LED 18W      | @230Vac | <br>22 118<br>52   |  Ø 55   |   *   * EAC   |
|  |               | 2 - 8 LED 2W<br>1 - 2 LED 6W<br>1 LED 9W                        | @110Vac |   |   |   |
|   | CC20-D-500-NT | 7 - 15 LED 2W<br>2 - 4 LED 6W<br>2 LED 9W<br>1 LED 18W          | @230Vac | <br>30 190<br>43   |  Ø 62   |    EAC    |
|   | CC30-D-500-NL | 1 - 15 LED 2W<br>1 - 4 LED 6W<br>1 - 3 LED 9W<br>1 LED 18W      | @230Vac | <br>34 210<br>40  |  Ø 54   |   *     |
|  |               | 1 - 15 LED 2W<br>1 - 4 LED 6W<br>1 - 3 LED 9W<br>1 LED 18W      | @110Vac |   |   |   |
| <br>   | CC32-D-500-N  | 2 - 14 LED 2W<br>1 - 4 LED 6W<br>1 - 2 LED 9W<br>1 LED 18W      | @230Vac | <br>21 103<br>67 |  Ø 72 |     |
|  |               | 2 - 10 LED 2W<br>1 - 2 LED 6W<br>1 LED 9W                       | @110Vac |   |   |   |
| <br><br>  | CC38-D-500-N  | 4 - 17 LED 2W<br>1 - 4 LED 6W<br>1 LED 18W                      | @230Vac | <br>30 147<br>44 |  Ø 54 |   * EAC    |
| <br><br><br> | CC50-D-500-N  | 10 - 22 LED 2W<br>1 - 5 LED 6W<br>1 - 3 LED 9W<br>1 - 2 LED 18W | @230Vac | <br>22 124<br>79 |  Ø 84 |     * EAC  |
|  |               | 10 - 22 LED 2W<br>1 - 5 LED 6W<br>1 - 3 LED 9W<br>1 - 2 LED 18W | @110Vac |   |   |   |

POTENZIOMETRO  
POTENTIOMETER

CODE  
POT-M-REG-N



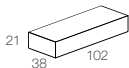




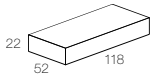




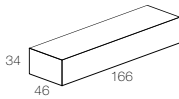




\*Disponibile su richiesta  
Available upon request






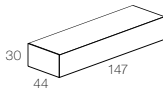

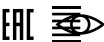



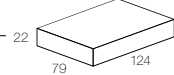


## DIMMERABILI - TAGLIO DI FASE (IGBT - TRIAC)

### DIMMABLE - PHASE CUT (IGBT - TRIAC)

| IP20   | CODE         | MIN - MAX LED  | Vin     | DIMENSIONS (mm)  | CUT-OUT  | CERTIFICATIONS  |
|--|--------------|--|---------|--|--|---|
| <br><br>DIMA-TO-WARM | CC10-C-500-N | 3 - 5 LED 2W<br>1 - 2 LED 6W<br>1 LED 9W                   | @230Vac | <br>21 38 102 |  Ø 42 |  |
| <br><br>DIMA-TO-WARM | CC20-C-500-N | 2 - 12 LED 2W<br>1 - 3 LED 6W<br>1 - 2 LED 9W<br>1 LED 18W | @230Vac | <br>22 52 118 |  Ø 55 |  |
| <br>                 | CC32-C-500-N | 1 - 12 LED 2W<br>1 - 3 LED 6W<br>1 - 2 LED 9W<br>1 LED 18W | @230Vac | <br>34 46 166 |  Ø 56 |  |




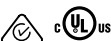
## DIMMERABILI - CASAMBI INTEGRATO

### DIMMABLE - CASAMBI INTEGRATED

| IP20  | CODE         | MIN - MAX LED   | Vin     | DIMENSIONS (mm)  | CUT-OUT  | CERTIFICATIONS  |
|---|--------------|---|---------|--|--|---|
| <br><br><br>DIMA-TO-WARM | CC38-B-500-N | 4 - 16 LED 2W<br>1 - 4 LED 6W<br>1 - 2 LED 9W<br>1 LED 18W      | @230Vac | <br>30 44 147 |  Ø 54 |  |
| <br><br><br>DIMA-TO-WARM | CC60-B-500-N | 10 - 22 LED 2W<br>1 - 5 LED 6W<br>1 - 3 LED 9W<br>1 - 2 LED 18W | @230Vac | <br>22 79 124 |  Ø 84 |  |
|   |              | 10 - 22 LED 2W<br>1 - 5 LED 6W<br>1 - 3 LED 9W<br>1 - 2 LED 18W | @110Vac |  |  |   |

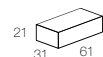


## DIMMERABILI - DMX

### DIMMABLE - DMX

| IP20  | CODE          | MIN - MAX LED   | Vin     | DIMENSIONS (mm)  | CUT-OUT  | CERTIFICATIONS  |
|---|---------------|---|---------|--|--|---|
|  | CC50-X-500-NL | 1 - 15 LED 2W<br>1 - 8 LED 6W<br>1 - 4 LED 9W<br>1 - 2 LED 18W<br>1 - 10 LED 3x2W RGB | @230Vac | <br>31 76 153 |  Ø 84 |  |
|   |               | 1 - 15 LED 2W<br>1 - 8 LED 6W<br>1 - 4 LED 9W<br>1 - 2 LED 18W<br>1 - 10 LED 3x2W RGB | @110Vac |  |  |   |

## NON DIMMERABILI - FISSI - PER BATTERIA


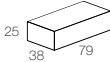

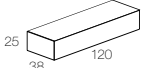

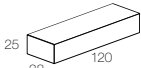

### NOT DIMMABLE - FIXED - FOR BATTERY

| IP20 | CODE          | MAX LED                                       | Vin    | DIMENSIONS (mm)   | CUT-OUT  | CERTIFICATIONS  |
|------|---------------|---|--------|---|--|---|
|      | CC15-F-500-NB | 1 - 3 LED 2W<br>1 LED 6W                      | 12 Vdc | <br>21 31 61 |  Ø 38 |  |
|      |               | 1 - 6 LED 2W<br>1 LED 6W<br>1 LED 9W          | 24 Vdc |   |  |   |
|      |               | 1 - 12 LED 2W<br>1 - 3 LED 6W<br>1 - 2 LED 9W | 48 Vdc |   |  |   |


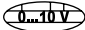
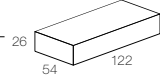


# Alimentatori 500mA IP67

## 500mA LED driver IP67




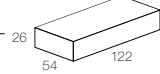





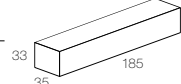

### ■ NON DIMMERABILI NOT DIMMABLE

|  IP67 | CODE          | MIN - MAX LED                              | Vin     | DIMENSIONS (mm)   | CUT-OUT  | CERTIFICATIONS |
|--|---------------|--|---------|---|--|----------------|
|  | CC14-F-500-PI | 1 - 9 LED 2W<br>1 - 2 LED 6W               | @230Vac |  |  |                |
|  | CC20-F-500-PI | 1 - 10 LED 2W<br>1 - 3 LED 6W<br>1 LED 18W | @230Vac |  |  |                |
|  | CC30-F-500-PI | 9 - 18 LED 2W<br>3 - 4 LED 6W<br>1 LED 18W | @230Vac |  |  |                |



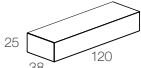

### ■ DIMMERABILI - MULTIFUNZIONE - PUSH - 1-10 DIMMABLE - MULTIFUNCTION - PUSH - 1-10

|  IP67 | CODE         | MIN - MAX LED                              | Vin     | DIMENSIONS (mm)   | CUT-OUT  | CERTIFICATIONS  |
|--|--------------|--|---------|---|--|---|
|       | CC20-M-500-P | 1 - 10 LED 2W<br>1 - 3 LED 6W<br>1 LED 18W | @230Vac |  |  |  |
|  |              | 1 - 8 LED 2W<br>1 - 2 LED 6W<br>1 LED 18W  | @110Vac |   |  |   |

### ■ DIMMERABILI - DALI DIMMABLE - DALI

|  IP67   | CODE          | MIN - MAX LED                              | Vin     | DIMENSIONS (mm)   | CUT-OUT  | CERTIFICATIONS  |
|--|---------------|--|---------|---|--|---|
| <br> | CC25-D-500-P  | 1 - 12 LED 2W<br>1 - 4 LED 6W<br>1 LED 18W | @230Vac |  |  | <br><br> |
|  |               | 1 - 8 LED 2W<br>1 - 2 LED 6W               | @110Vac |   |  |   |
|   | CC55-D-500-PI | 1 - 14 LED 2W<br>1 - 4 LED 6W<br>1 LED 18W | @230Vac |  |  |   |
|  |               | 1 - 9 LED 2W<br>1 - 2 LED 6W               | @110Vac |   |  |   |

### ■ DIMMERABILI - TAGLIO DI FASE (IGBT - TRIAC) DIMMABLE - PHASE CUT (IGBT - TRIAC)

|  IP67 | CODE          | MIN - MAX LED                              | Vin     | DIMENSIONS (mm)   | CUT-OUT  | CERTIFICATIONS |
|--|---------------|--|---------|---|--|----------------|
|       | CC25-C-500-PI | 8 - 13 LED 2W<br>2 - 4 LED 6W<br>1 LED 18W | @230Vac |  |  |                |

POTENZIOMETRO  
POTENTIOMETER

CODE  
POT-M-REG-N

