

## LIGHT SOURCE

LED quantity	1	
Power max	9 W – 13 W	
Total lumen output (3000K CRI>90)	9W: 14° - 660 lm 18° - 712 lm 24° - 685 lm 33° - 618 lm 52° - 683 lm	13W: 14° - 813 lm 18° - 901 lm 24° - 860 lm 33° - 769 lm 52° - 844 lm
Efficacy lm/W (3000K CRI>90)	9W: 14° - 73 lm/W 18° - 79 lm/W 24° - 76 lm/W 33° - 68 lm/W 52° - 76 lm/W	13W: 14° - 62 lm/W 18° - 69 lm/W 24° - 66 lm/W 33° - 59 lm/W 52° - 65 lm/W
CRI	>80 - >90 - >95	
LED Temperature	2200K CRI>90-2400K CRI>90 -2700K CRI>90 -2700K CRI>95 3000K CRI>80 - 3000K CRI>90 – 3000K CRI>95 3500K CRI>90- 3500K CRI>95 - 4000K CRI>90	
Average operational life	50.000 hours	

## OPTIC

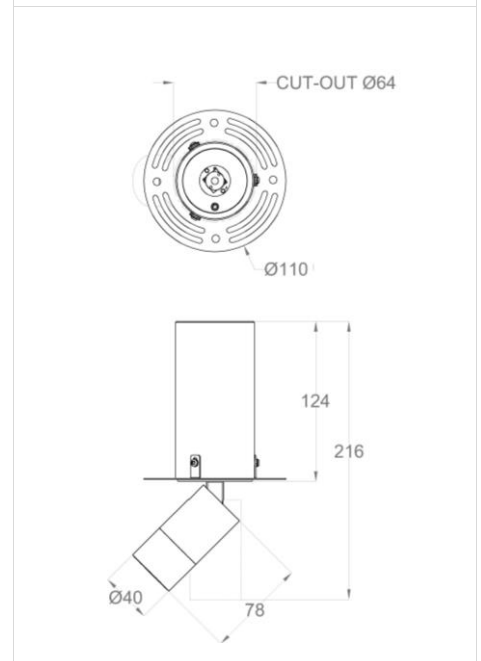
Material	PMMA
Available optics	14° - 18° - 24° - 33° - 52°
Beam direction	Adjustable +/-90°, rotating +/-355°
Flux symmetry	Symmetrical

## FIXTURE

Material	Aluminum
Available body finishes	Powder coated: S - Warm white (RAL 9010) 7 - White (RAL 9003) A6 - Gray white (RAL 9002) C - Gothic cement (RAL 7033) G3 - Gray (RAL 7012) G7 - Beige Gray (RAL 7006) M8 - Brown (RAL 8019) H - Black (RAL 9005)
Available decorative ring finishes	Chrome plated: 1 - Gold chrome 1 - Shiny chrome 8 - Satin gold Nickel plated: N - Satin nickel Hard coat anodized: 4 - Black
IP Rate	IP40
Working Temperature	-20° ÷ +40°
Integrated fixing Systems	-

## ELECTRICAL FEATURES

Driver	Remote
Dimmable	Push, 1-10, DALI
Connection	In series at 500mA – 700mA
Class	III



### Decorative Rings



## MECHANICAL FEATURES

Dimensions	Ø110 x 124 mm (within frame)
Weight	530 gr
Installation	Wall, ceiling recessed
Cut-out	Ø64 mm
Use	Indoor

## ACCESSORIES

Interchangeable lenses	18°, 24°, 33°, 52°
Filters	Hex louver, elliptical filter, prismatic filter, softening lens
Decorative rings	Gold chrome, shiny chrome, satin gold, satin nickel, black
Visors	-
Box/ Frame	Frame (A00654_0)
Installation tool	Hole saw (A00830.H0)

## PHOTOMETRIC DATA

14° Lens – 13W					18° Lens – 13W					24° Lens – 13W					33° Lens – 13W					52° Lens – 13W				
H(m)	D(m)	E <sub>max</sub> (lx)	E <sub>av</sub> (lx)		H(m)	D(m)	E <sub>max</sub> (lx)	E <sub>av</sub> (lx)		H(m)	D(m)	E <sub>max</sub> (lx)	E <sub>av</sub> (lx)		H(m)	D(m)	E <sub>max</sub> (lx)	E <sub>av</sub> (lx)		H(m)	D(m)	E <sub>max</sub> (lx)	E <sub>av</sub> (lx)	
<b>14°</b>					<b>18°</b>					<b>24°</b>					<b>33°</b>					<b>52°</b>				
<u>1.00</u>	0.25	8464	5271		<u>1.00</u>	0.32	6145	3890		<u>1.00</u>	0.42	3893	2406		<u>1.00</u>	0.60	2011	1228		<u>1.00</u>	0.97	1207	680	
<u>2.00</u>	0.50	2116	1318		<u>2.00</u>	0.65	1536	972		<u>2.00</u>	0.84	973	602		<u>2.00</u>	1.21	503	307		<u>2.00</u>	1.93	302	170	
<u>3.00</u>	0.75	940	586		<u>3.00</u>	0.97	683	432		<u>3.00</u>	1.25	433	267		<u>3.00</u>	1.81	223	136		<u>3.00</u>	2.90	134	76	
<u>4.00</u>	1.00	529	329		<u>4.00</u>	1.30	384	243		<u>4.00</u>	1.67	243	150		<u>4.00</u>	2.41	126	77		<u>4.00</u>	3.87	75	43	
<u>5.00</u>	1.25	339	211		<u>5.00</u>	1.62	246	156		<u>5.00</u>	2.09	156	96		<u>5.00</u>	3.02	80	49		<u>5.00</u>	4.84	48	27	

## NOTES

14° lens not interchangeable.

---

Frame (A00654.\_0) is necessary for installing the fixture correctly: *Please specify always 1 frame for each Ariel In&Out F in the purchase order.*

---

Hole saw (A00830.H0) available for easy installation.

---