

**LIGHT SOURCE**

LED quantity	1	
Power max	10 W – 14 W	
Total lumen output (3000K CRI>90)	10W: 14° - 660 lm 18° - 876 lm 24° - 858 lm 33° - 775 lm 52° - 858 lm	14W: 14° - 813 lm 18° - 1150 lm 24° - 1125 lm 33° - 1018 lm 52° - 1123 lm
Efficacy lm/W (3000K CRI>90)	10W: 14° - 77 lm/W 18° - 100 lm/W 24° - 98 lm/W 33° - 87 lm/W 52° - 96 lm/W	13W: 14° - 66 lm/W 18° - 99 lm/W 24° - 96 lm/W 33° - 86 lm/W 52° - 94 lm/W
CRI	>80 - >90 - >95	
LED Temperature	2200K CRI>90 – 2400K CRI>90 – 2700K CRI>90 – 2700K CRI>95 – 3000K CRI>80 - 3000K CRI>90 – 3000K CRI>95 – 3500K CRI>90 – 3500K CRI>95 – 4000K CRI>90	
Average operational life	50.000 hours	

**OPTIC**

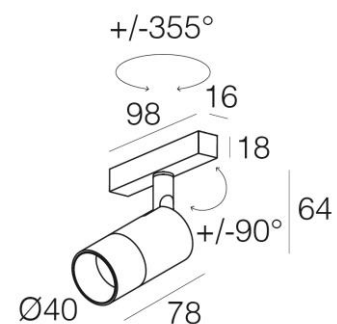
Material	PMMA
Available optics	14° - 18° - 24° - 33° - 52°
Beam direction	Adjustable: Tilting +/- 90°, Rotating +/- 355°
Flux symmetry	Symmetrical

**FIXTURE**

Material	Aluminum
Available body finishes	Powder coated: S - Warm white (RAL 9010) 7 - White (RAL 9003) A6 - Gray white (RAL 9002) C - Gothic cement (RAL 7033) G3 - Gray (RAL 7012) G7 - Beige Gray (RAL 7006) M8 - Brown (RAL 8019) H - Black (RAL 9005)
Available decorative ring finishes	Chrome plated: 1 - Gold chrome 1 - Shiny chrome 8 - Satin gold Nickel plated: N - Satin nickel Hard coat anodized: 4 - Black
IP Rate	IP40
Working Temperature	-20° ÷ +40°
Integrated fixing Systems	-

**ELECTRICAL FEATURES**

Driver	Remote
Dimmable	Push, 1-10, DALI
Connection	In parallel t 24Vdc
Class	III



**Decorative Rings**



**MECHANICAL FEATURES**

Dimensions	Ø40 x 78 mm (Cylinder only)
Weight	160 gr
Installation	Wall, ceiling mounting track
Cut-out	-
Use	Indoor

**ACCESSORIES**

Interchangeable lenses	18°, 24°, 33°, 52°
Filters	Hex louver, elliptical filter, prismatic filter, softening lens
Decorative rings	Gold chrome, shiny chrome, satin gold, satin nickel, black
Visors	-
Box/ Frame	-
Installation tool	-

**PHOTOMETRIC DATA**

<p><b>14° Lens – 14W</b></p>																																																																																																																					
<table border="1"> <thead> <tr> <th>H(m)</th> <th>D(m)</th> <th>E<sub>max</sub>(lx)</th> <th>E<sub>av</sub>(lx)</th> </tr> </thead> <tbody> <tr> <td colspan="4"><b>14°</b></td> </tr> <tr> <td><u>1.00</u></td> <td>0.25</td> <td>8464</td> <td>5271</td> </tr> <tr> <td><u>2.00</u></td> <td>0.51</td> <td>2116</td> <td>1318</td> </tr> <tr> <td><u>3.00</u></td> <td>0.76</td> <td>940</td> <td>586</td> </tr> <tr> <td><u>4.00</u></td> <td>1.02</td> <td>529</td> <td>329</td> </tr> <tr> <td><u>5.00</u></td> <td>1.27</td> <td>339</td> <td>211</td> </tr> </tbody> </table>				H(m)	D(m)	E <sub>max</sub> (lx)	E <sub>av</sub> (lx)	<b>14°</b>				<u>1.00</u>	0.25	8464	5271	<u>2.00</u>	0.51	2116	1318	<u>3.00</u>	0.76	940	586	<u>4.00</u>	1.02	529	329	<u>5.00</u>	1.27	339	211																																																																																						
H(m)	D(m)	E <sub>max</sub> (lx)	E <sub>av</sub> (lx)																																																																																																																		
<b>14°</b>																																																																																																																					
<u>1.00</u>	0.25	8464	5271																																																																																																																		
<u>2.00</u>	0.51	2116	1318																																																																																																																		
<u>3.00</u>	0.76	940	586																																																																																																																		
<u>4.00</u>	1.02	529	329																																																																																																																		
<u>5.00</u>	1.27	339	211																																																																																																																		
UGR = 10																																																																																																																					
<p><b>18° Lens – 14W</b></p>	<p><b>24° Lens – 14W</b></p>	<p><b>33° Lens – 14W</b></p>	<p><b>52° Lens – 14W</b></p>																																																																																																																		
<table border="1"> <thead> <tr> <th>H(m)</th> <th>D(m)</th> <th>E<sub>max</sub>(lx)</th> <th>E<sub>av</sub>(lx)</th> </tr> </thead> <tbody> <tr> <td colspan="4"><b>18°</b></td> </tr> <tr> <td><u>1.00</u></td> <td>0.34</td> <td>7013</td> <td>4450</td> </tr> <tr> <td><u>2.00</u></td> <td>0.68</td> <td>1753</td> <td>1112</td> </tr> <tr> <td><u>3.00</u></td> <td>1.03</td> <td>779</td> <td>494</td> </tr> <tr> <td><u>4.00</u></td> <td>1.37</td> <td>438</td> <td>278</td> </tr> <tr> <td><u>5.00</u></td> <td>1.71</td> <td>281</td> <td>178</td> </tr> </tbody> </table>	H(m)	D(m)	E <sub>max</sub> (lx)	E <sub>av</sub> (lx)	<b>18°</b>				<u>1.00</u>	0.34	7013	4450	<u>2.00</u>	0.68	1753	1112	<u>3.00</u>	1.03	779	494	<u>4.00</u>	1.37	438	278	<u>5.00</u>	1.71	281	178	<table border="1"> <thead> <tr> <th>H(m)</th> <th>D(m)</th> <th>E<sub>max</sub>(lx)</th> <th>E<sub>av</sub>(lx)</th> </tr> </thead> <tbody> <tr> <td colspan="4"><b>24°</b></td> </tr> <tr> <td><u>1.00</u></td> <td>0.42</td> <td>4975</td> <td>3072</td> </tr> <tr> <td><u>2.00</u></td> <td>0.85</td> <td>1244</td> <td>768</td> </tr> <tr> <td><u>3.00</u></td> <td>1.27</td> <td>553</td> <td>341</td> </tr> <tr> <td><u>4.00</u></td> <td>1.70</td> <td>311</td> <td>192</td> </tr> <tr> <td><u>5.00</u></td> <td>2.12</td> <td>199</td> <td>123</td> </tr> </tbody> </table>	H(m)	D(m)	E <sub>max</sub> (lx)	E <sub>av</sub> (lx)	<b>24°</b>				<u>1.00</u>	0.42	4975	3072	<u>2.00</u>	0.85	1244	768	<u>3.00</u>	1.27	553	341	<u>4.00</u>	1.70	311	192	<u>5.00</u>	2.12	199	123	<table border="1"> <thead> <tr> <th>H(m)</th> <th>D(m)</th> <th>E<sub>max</sub>(lx)</th> <th>E<sub>av</sub>(lx)</th> </tr> </thead> <tbody> <tr> <td colspan="4"><b>33°</b></td> </tr> <tr> <td><u>1.00</u></td> <td>0.61</td> <td>2679</td> <td>1629</td> </tr> <tr> <td><u>2.00</u></td> <td>1.21</td> <td>670</td> <td>407</td> </tr> <tr> <td><u>3.00</u></td> <td>1.82</td> <td>298</td> <td>181</td> </tr> <tr> <td><u>4.00</u></td> <td>2.42</td> <td>167</td> <td>102</td> </tr> <tr> <td><u>5.00</u></td> <td>3.03</td> <td>107</td> <td>65</td> </tr> </tbody> </table>	H(m)	D(m)	E <sub>max</sub> (lx)	E <sub>av</sub> (lx)	<b>33°</b>				<u>1.00</u>	0.61	2679	1629	<u>2.00</u>	1.21	670	407	<u>3.00</u>	1.82	298	181	<u>4.00</u>	2.42	167	102	<u>5.00</u>	3.03	107	65	<table border="1"> <thead> <tr> <th>H(m)</th> <th>D(m)</th> <th>E<sub>max</sub>(lx)</th> <th>E<sub>av</sub>(lx)</th> </tr> </thead> <tbody> <tr> <td colspan="4"><b>52°</b></td> </tr> <tr> <td><u>1.00</u></td> <td>0.99</td> <td>1551</td> <td>892</td> </tr> <tr> <td><u>2.00</u></td> <td>1.99</td> <td>388</td> <td>223</td> </tr> <tr> <td><u>3.00</u></td> <td>2.96</td> <td>172</td> <td>99</td> </tr> <tr> <td><u>4.00</u></td> <td>3.95</td> <td>97</td> <td>56</td> </tr> <tr> <td><u>5.00</u></td> <td>4.94</td> <td>62</td> <td>36</td> </tr> </tbody> </table>	H(m)	D(m)	E <sub>max</sub> (lx)	E <sub>av</sub> (lx)	<b>52°</b>				<u>1.00</u>	0.99	1551	892	<u>2.00</u>	1.99	388	223	<u>3.00</u>	2.96	172	99	<u>4.00</u>	3.95	97	56	<u>5.00</u>	4.94	62	36		
H(m)	D(m)	E <sub>max</sub> (lx)	E <sub>av</sub> (lx)																																																																																																																		
<b>18°</b>																																																																																																																					
<u>1.00</u>	0.34	7013	4450																																																																																																																		
<u>2.00</u>	0.68	1753	1112																																																																																																																		
<u>3.00</u>	1.03	779	494																																																																																																																		
<u>4.00</u>	1.37	438	278																																																																																																																		
<u>5.00</u>	1.71	281	178																																																																																																																		
H(m)	D(m)	E <sub>max</sub> (lx)	E <sub>av</sub> (lx)																																																																																																																		
<b>24°</b>																																																																																																																					
<u>1.00</u>	0.42	4975	3072																																																																																																																		
<u>2.00</u>	0.85	1244	768																																																																																																																		
<u>3.00</u>	1.27	553	341																																																																																																																		
<u>4.00</u>	1.70	311	192																																																																																																																		
<u>5.00</u>	2.12	199	123																																																																																																																		
H(m)	D(m)	E <sub>max</sub> (lx)	E <sub>av</sub> (lx)																																																																																																																		
<b>33°</b>																																																																																																																					
<u>1.00</u>	0.61	2679	1629																																																																																																																		
<u>2.00</u>	1.21	670	407																																																																																																																		
<u>3.00</u>	1.82	298	181																																																																																																																		
<u>4.00</u>	2.42	167	102																																																																																																																		
<u>5.00</u>	3.03	107	65																																																																																																																		
H(m)	D(m)	E <sub>max</sub> (lx)	E <sub>av</sub> (lx)																																																																																																																		
<b>52°</b>																																																																																																																					
<u>1.00</u>	0.99	1551	892																																																																																																																		
<u>2.00</u>	1.99	388	223																																																																																																																		
<u>3.00</u>	2.96	172	99																																																																																																																		
<u>4.00</u>	3.95	97	56																																																																																																																		
<u>5.00</u>	4.94	62	36																																																																																																																		
UGR = 13	UGR = 15	UGR = 17	UGR = 21																																																																																																																		

**NOTES**

14° lens not interchangeable.

---

---

---